



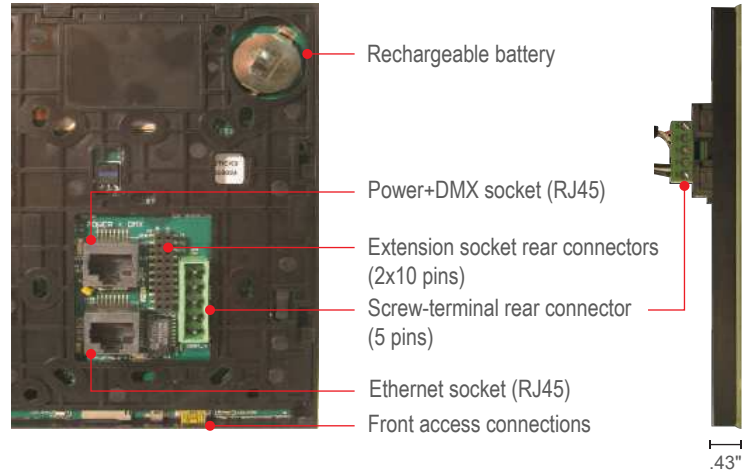
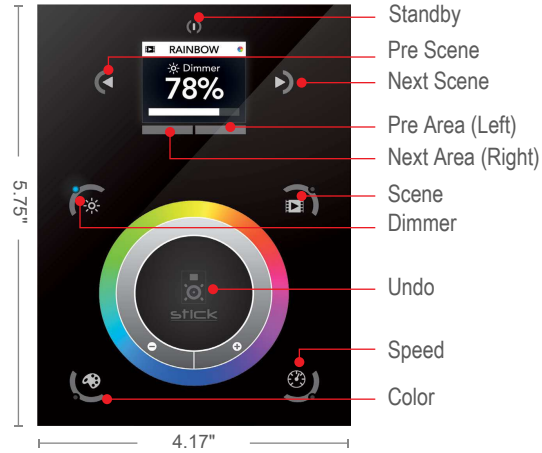
iQ-DMX-STICK-DE3

iQ-DMX-STICK-DE3 controller is a DMX based controller aimed at architectural lighting installations requiring an advanced level of programming options (color changing effects, specific colors Changing the speed, color and dimmer using the circular palette etc). The controller has been engineered to meet the needs of lighting designers, whilst providing a clean and user friendly panel. Featuring an on/off button, a color wheel, and a clock/calender with sunrise/sunset triggering.

Use ESA2, ESA Pro or DMX Recorder Sunlite Suite software to control your lighting scenes on your PC or Mac Computer. Apps are also available for iOS and android devices. This robust controller is capable of storing up to 500 scenes in multi-rooms, 10 of which can be recalled on the actual controller itself. iQ-DMX-STICK-DE3 is an ideal solution for interior lighting, hotels and homes.

FEATURES

- DMX512 Output
- Windows / Mac software to set dynamic colors / effects
- iPhone / iPad / Android remote and programming apps
- 1024 DMX channels. Control 340 RGB fixtures
- Multi-room control with 500 scenes, 10 zones
- 10 touch-sensitive buttons. No mechanical parts
- Touch-sensitive wheel allows for accurate color selection
- Sleek Black / White glass design which sits 0.43" from the wall
- USB, Ethernet, RS232, Clock, 8 dry connectivity ports for programming and control with a 5V Output Relay
- Live Control: Color, Dimmer and Speed
- 5-6VDC 0.3A Input
- 8 dry contact trigger ports
- Multi-zone microSD memory
- Operating Temperature: 14°F - 113°F
- Dimensions: 5.75" x 4.17" x 0.43"
- Weight: 0.54 lbs
- EC, EMC, ROHS, ETL Standards



2020-01-09-V1

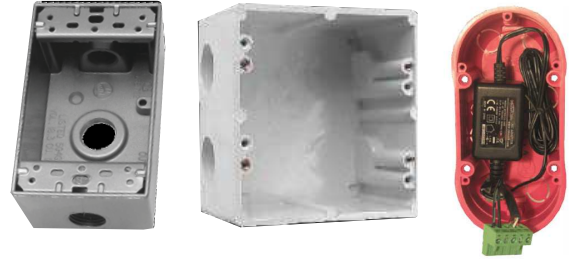
PROJECT NAME	DATE	COMPANY	TYPE	NOTE



iQ-DMX-STICK-DE3 INSTALLATION

1 MOUNT AN ELECTRICAL BOX INSIDE THE WALL

The controller can be installed in a standard electrical backbox. This box is usually 3.29" high and 2.36" wide. You can insert the AC/DC adapter inside or outside the backbox.



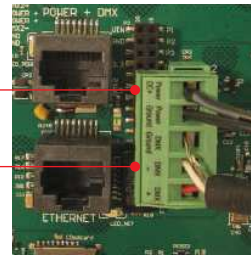
2 CONNECT THE WIRES

POWER: Connect a 5-10V 0.6A AC/DC supply. Be sure to not invert the + and the ground.

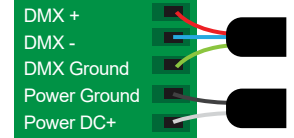
DMX: Connect the DMX cable to the lighting receivers (LEDs, Dimmers, Fixtures) (for XLR: 1 = ground, 2 = DMX-, 3 = DMX+) There are 2 ways to connect the power and DMX:

NOTE:

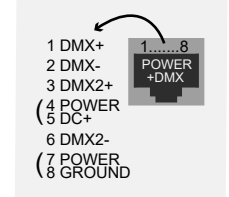
- Check Pin Configurations. Applying Power To The DMX Input Will Damage The Controller.
- Make Sure The Controller Is Mounted Flat Without Obstructions From Behind As This Can Push Apart The Glass .



Connector Block



RJ45



3 MOUNT AN ELECTRICAL BOX INSIDE THE WALL

- Mount the back side of the interface on the wall with 2 or more screws
- Plug the connectors :
 - DMX and power (connector block)
 - Ethernet cable

The front panel is mounted by clipping the 2 tabs along the top edge to the back plate and then arching down. 1 screw should be attached underneath to hold the controller in place.



OTHER CONNECTIONS

Compatible header connectors:
 WURTH ELEKTRONIK ref: 61301021121
 MOLEX ref: 10-89-7202
 TE Connectivity ref: 1-87227-0
 FCI ref: 77313-101-20LF
 HARWIN ref: M20-9981046
 SAMTEC ref: TSW-110-xx-T-D
 FARNELL ref: 1841232
 RS ref: 763-6754 673-7534 251-8165
 MOUSER ref: 538-10-89-7202
 DIGIKEY ref: WM26820-ND

EXTENSION socket			
VIN	20	19	PORT1
GND	18	17	PORT2
IR_RX	16	15	PORT3
3.3V	14	13	PORT4
Relay	12	11	PORT5
DMX2+	10	9	PORT6
DMX2-	8	7	PORT7
DMX1+	6	5	PORT8
DMX1-	4	3	RS232 RX
GND_DMX	2	1	RS232 TX

