



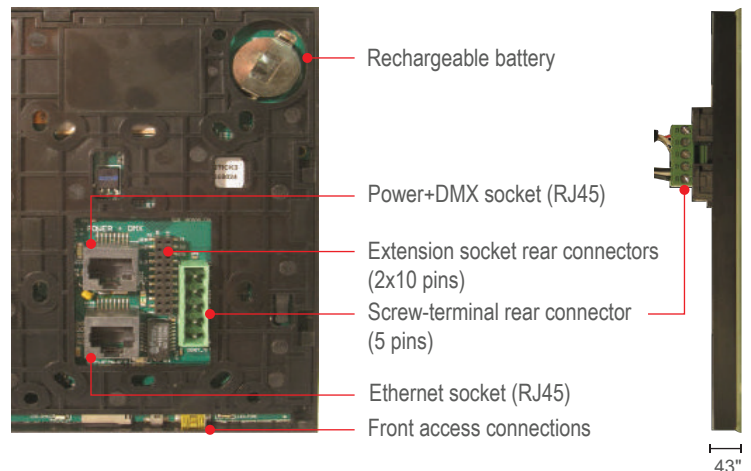
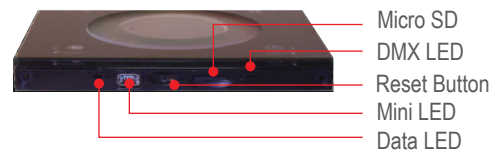
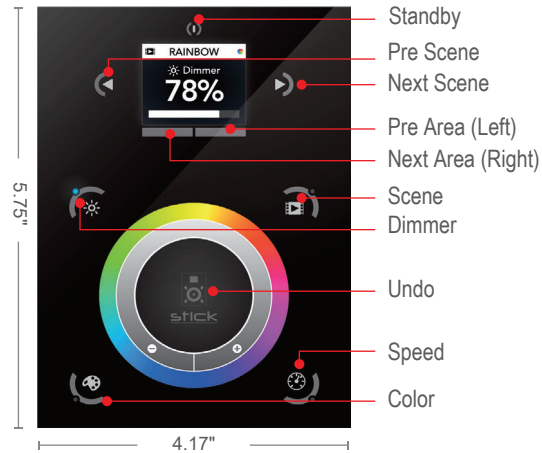
iQ-DMX-STICK-DE3

iQ-DMX-STICK-DE3 controller is a DMX based controller aimed at architectural lighting installations requiring an advanced level of programming options (color changing effects, specific colors Changing the speed, color and dimmer using the circular palette etc). The controller has been engineered to meet the needs of lighting designers, whilst providing a clean and user friendly panel. Featuring an on/off button, a color wheel, and a clock/calender with sunrise/sunset triggering.

Use ESA2, ESA Pro or DMX Recorder Sunlite Suite software to control your lighting scenes on your PC or Mac Computer. Apps are also available for iOS and android devices. This robust controller is capable of storing up to 500 scenes in multi-rooms, 10 of which can be recalled on the actual controller itself. iQ-DMX-STICK-DE3 is an ideal solution for interior lighting, hotels and homes.

FEATURES

- DMX512 Output
- Windows / Mac software to set dynamic colors / effects
- iPhone / iPad / Android remote and programming apps
- 1024 DMX channels. Control 340 RGB fixtures
- Multi-room control with 500 scenes, 10 zones
- 10 touch-sensitive buttons. No mechanical parts
- Touch-sensitive wheel allows for accurate color selection
- Sleek Black / White glass design which sits 0.43" from the wall
- USB, Ethernet, RS232, Clock, 8 dry connectivity ports for programming and control with a 5V Output Relay
- Live Control: Color, Dimmer and Speed
- 5-6VDC 0.3A Input
- 8 dry contact trigger ports
- Multi-zone microSD memory
- Operating Temperature: 14°F - 113°F
- Dimensions: 5.75" x 4.17" x 0.43"
- Weight: 0.54 lbs
- EC, EMC, ROHS, ETL Standards



2020-01-09-V1

PROJECT NAME	DATE	COMPANY	TYPE	NOTE