

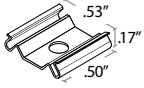
MOUNTING INSTALLATION

EXTRUSIONS - SURFACE - TRE3

Model: iQA

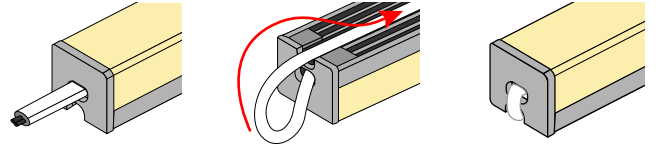


MOUNTING NOTE: 2 clips provided for 4' or less;
4 clips provided for greater than 4'



TRE3-HSS
Hidden Stainless Steel

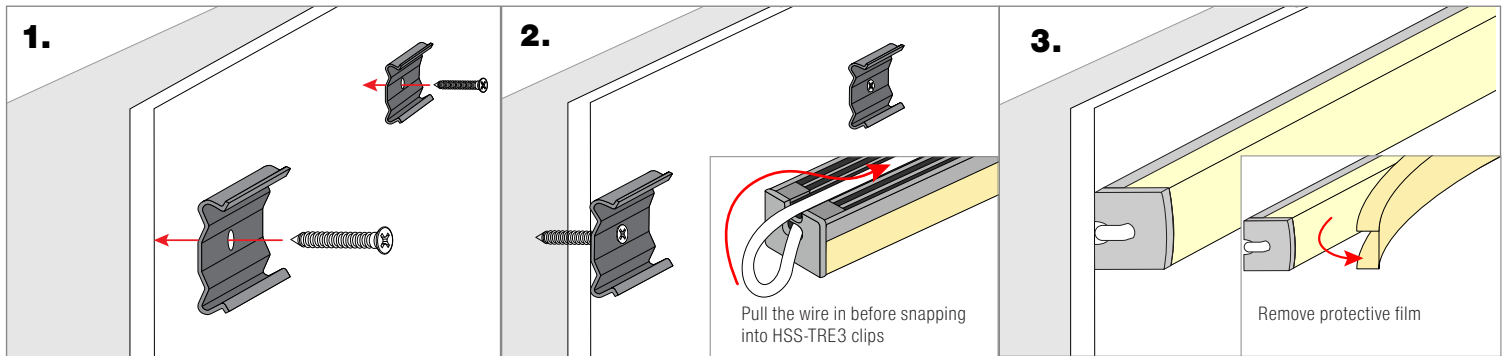
WIRE WAY



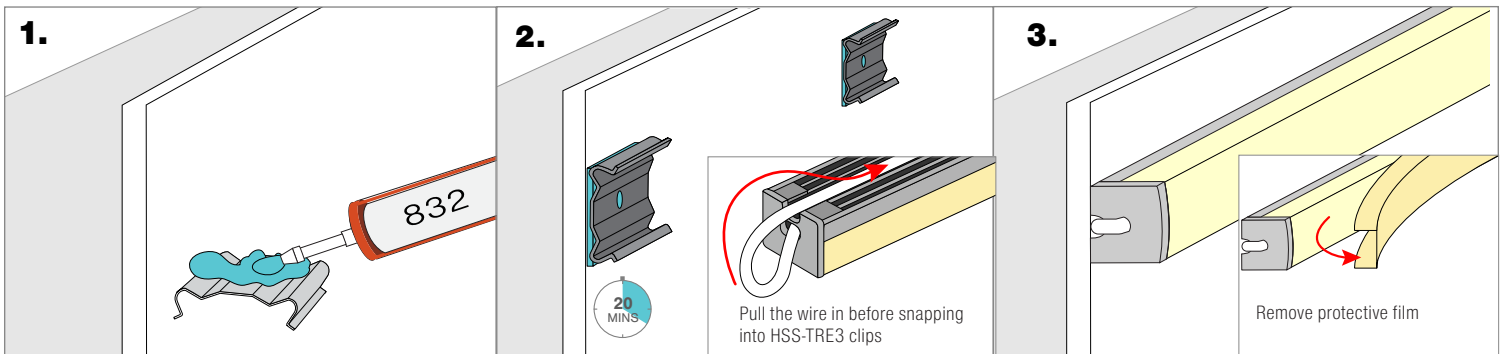
To utilize the TRE 3's wire way, pull the wire and snap the TRE3 onto the HSS-TRE3 Clip to hold the wire down

NOTE: Wireway only works with our outdoor WET RATED wire

Screw Mounting



832 Silicone Mounting



NOTE: 832 Silicone use in a well-ventilated area, 832 Silicone sold with Caulking gun. Do not use in any submersible applications.

NOTES: • Field modifications must comply with Q-Tran's installation methods otherwise warranty is null and void

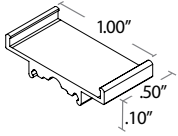
MOUNTING INSTALLATION

EXTRUSIONS - SURFACE - TRE3

Model: iQA

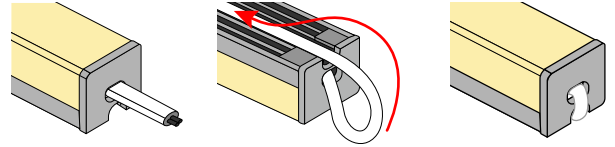


MOUNTING NOTE: Standard 1"(15/16) grid Clips
: 2 clips provided per first 12",
1 clip provided per additional foot



TRE3-TBC
Plastic T-Bar

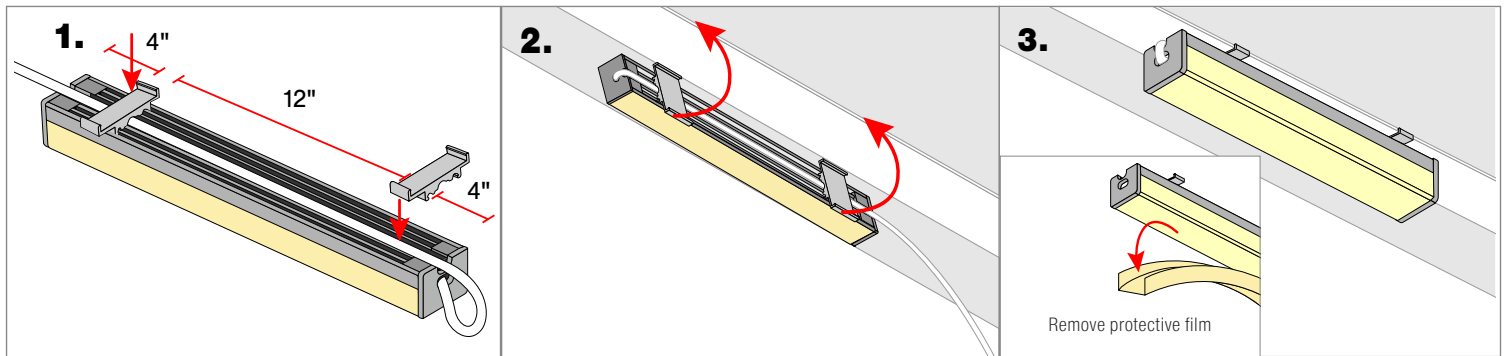
WIRE WAY



To utilize the TRE 3's wire way, pull the wire and insert the TBC-TRE3 clip onto the bottom track to hold the wire down

NOTE: Wireway only works with our outdoor WET RATED wire

Mounting Clip



Clip on the T-BAR clips 4" inward from each end, and then 12" apart for the full length

NOTES: • Field modifications must comply with Q-Tran's installation methods otherwise warranty is null and void