

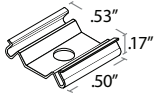
MOUNTING INSTALLATION

EXTRUSIONS - SURFACE - TALO

Model: iQA

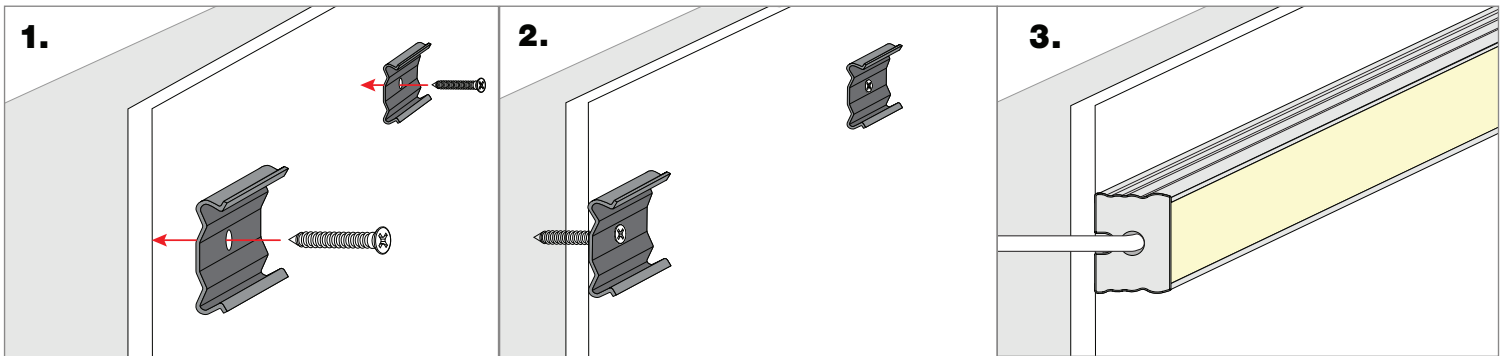


MOUNTING NOTE: 2 clips provided for 4' or less;
4 clips provided for greater than 4'



TALO - HSS
Hidden Stainless Steel

Screw Mounting



NOTES: • Field modifications must comply with Q-Tran's installation methods otherwise warranty is null and void

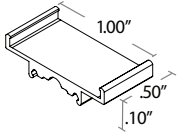
MOUNTING INSTALLATION

EXTRUSIONS - SURFACE - TALO

Model: iQA

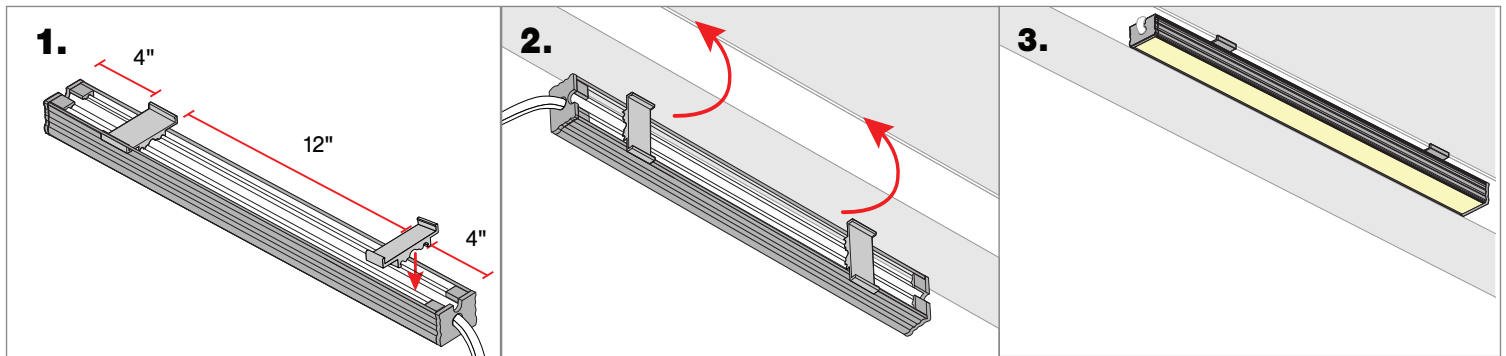


MOUNTING NOTE: Standard 1"(15/16) grid Clips for drop ceiling
: 2 clips provided per first 12",
1 clip provided per additional foot



TALO - TBC
Plastic T-Bar

Mounting Clip



Clip on the T-BAR clips 4" inward from each end, and then 12" apart for the full length

NOTES: • Field modifications must comply with Q-Tran's installation methods otherwise warranty is null and void