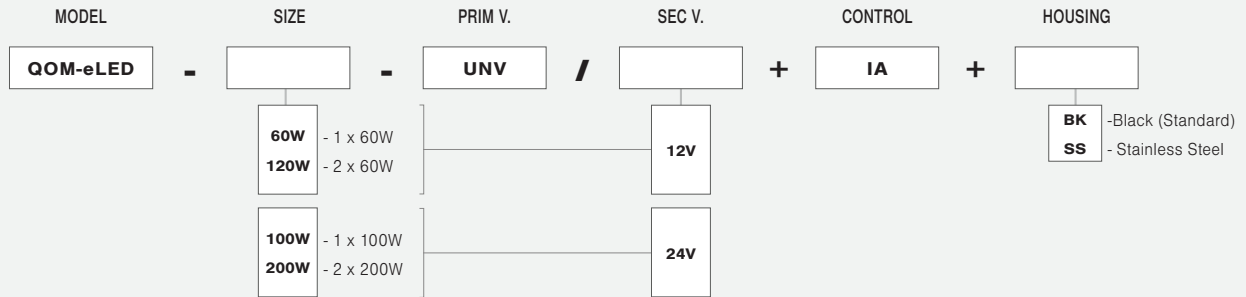




# QOM-ELED+IA POWER SUPPLY



● **NOTE:** Separate DMX universe per decoder configuration available upon request

## FEATURES

- Output voltage and output current limited, plus isolation for safe operation
- Controllable with DMX commands - max 512 addresses per universe
- Provides SPI signal to LED strip
- For use with individually addressable or Pixel SPI LED product
- Surface mount only
- Suitable for dry, damp and wet locations
- Primary voltage - universal (120-277V)
- Wide operating temperature range: -4 degF to +122 degF
- Fits up to (2):60W 12VDC driver(s) or (2):100W 24VDC driver(s) and DMX-to-SPI decoder module(s)
- Driver has class A sound rating
- Class 2 output
- 5 year warranty

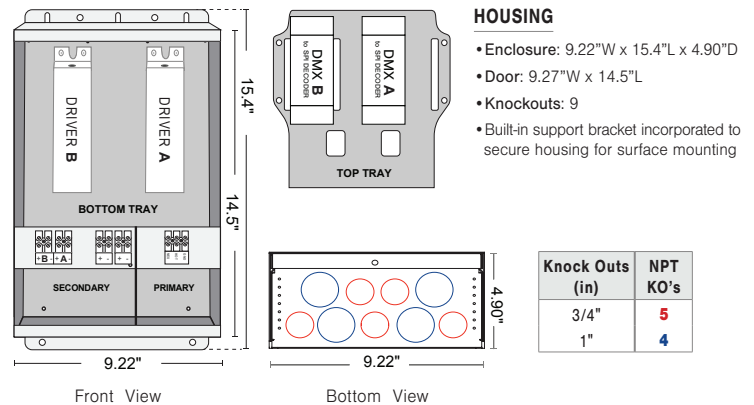
### Low Voltage Lighting Systems

- CSA class 3425-15 and class 3425-95
- CSA standard C22.2 No. 250.0-08 - luminaires
- ANSI/UL standard 2108 - low voltage lighting systems
- ANSI/UL standard 8750 - light emitting diode (LED) equipment for use in lighting products
- CSA standard C22.2 No 250.13-14 - light emitting diode (LED) equipment for lighting applications

### LED Landscape Lighting Systems

- CSA class 3402-15 and class 3402-95
- CSA standard C22.2 No. 250.7-07 - extra-low-voltage landscape lighting systems
- ANSI/UL standard 1838 - low voltage landscape lighting systems
- ANSI/UL standard 8750 - light emitting diode (LED) equipment for use in lighting products
- CSA standard C22.2 No 250.13-14 - light emitting diode (LED) equipment for lighting applications

## HOUSING



## VOLTAGE DROP TABLE

VDC	Watts (W)	10	12	14	16	18	20
		AWG (5.6 mm2)	AWG (3.3 mm2)	AWG (3.0 mm2)	AWG (1.3 mm2)	AWG (0.78 mm2)	AWG (0.78 mm2)
12	12	50'	50'	50'	50'	49'	31'
	25	50'	50'	45'	28'	18'	11'
	60	7'	4'	3'			
24	17	50'	50'	50'	50'	50'	50'
	25	50'	50'	50'	50'	50'	50'
	40	50'	50'	50'	50'	48'	30'
	80	50'	50'	50'	32'	20'	13'
	96	50'	50'	33'	21'	13'	8'

\*Distances are based on a 5% voltage drop max.

- This product must be installed in accordance with the applicable installation code by a person familiar with the construction and operation of the product and the hazards involved
- Due to data signal degradation, max wire length is 50'

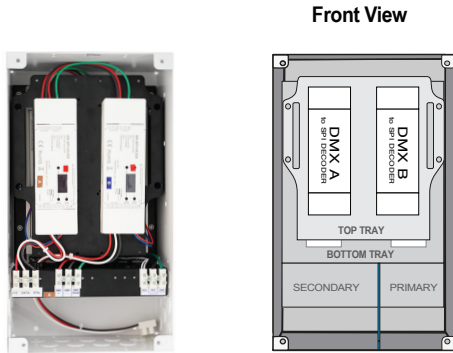
PROJECT NAME	DATE	COMPANY	TYPE	NOTE

# MOUNTING INSTALLATIONS

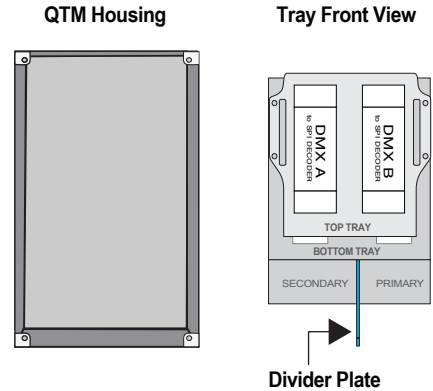
## POWER SUPPLY - QTM - QOM - DIVIDER FIT



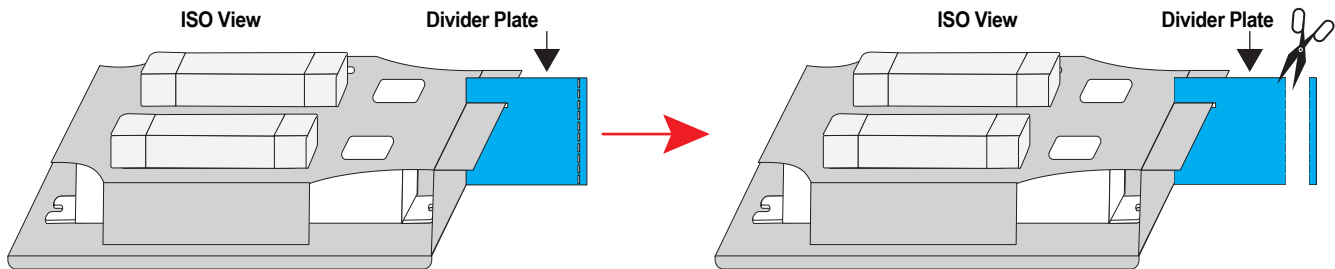
1. Standard QTM-ELED power supply.



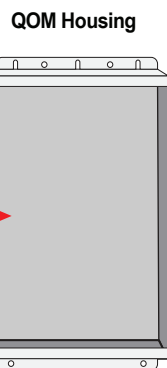
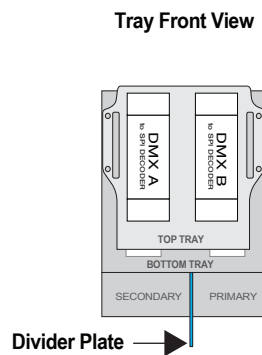
2. Remove power tray from housing. Unscrew from 4 locations.



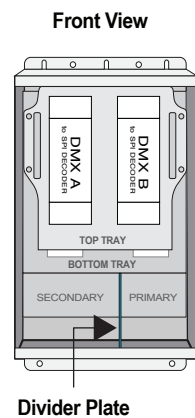
3. To fit the QTM in the QOM housing, the divider plate must be modified. Cut the divider plate with metal shears along the perforated line.



4. The modified power tray will fit in the QOM housing



5. Screw tray to housing in 4 locations.



- For QOM to QTM no modification is required. Uninstall QOM power tray and install in QTM housing.

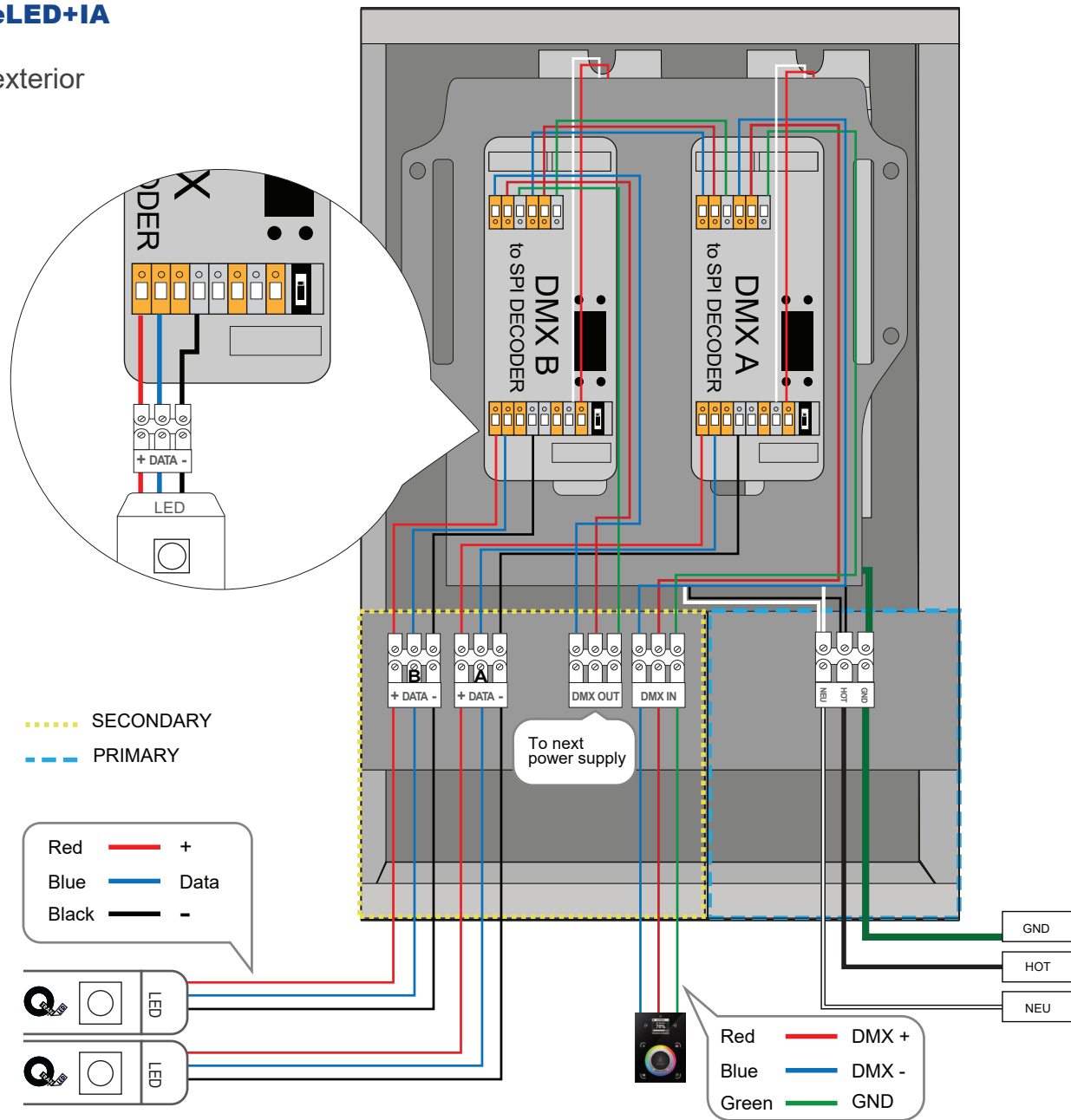
# WIRING SCHEMATIC

## POWER SUPPLY - QOM-ELED+IA



### QOM-eLED+IA

: for exterior



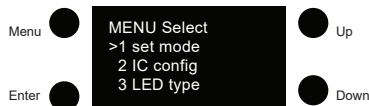
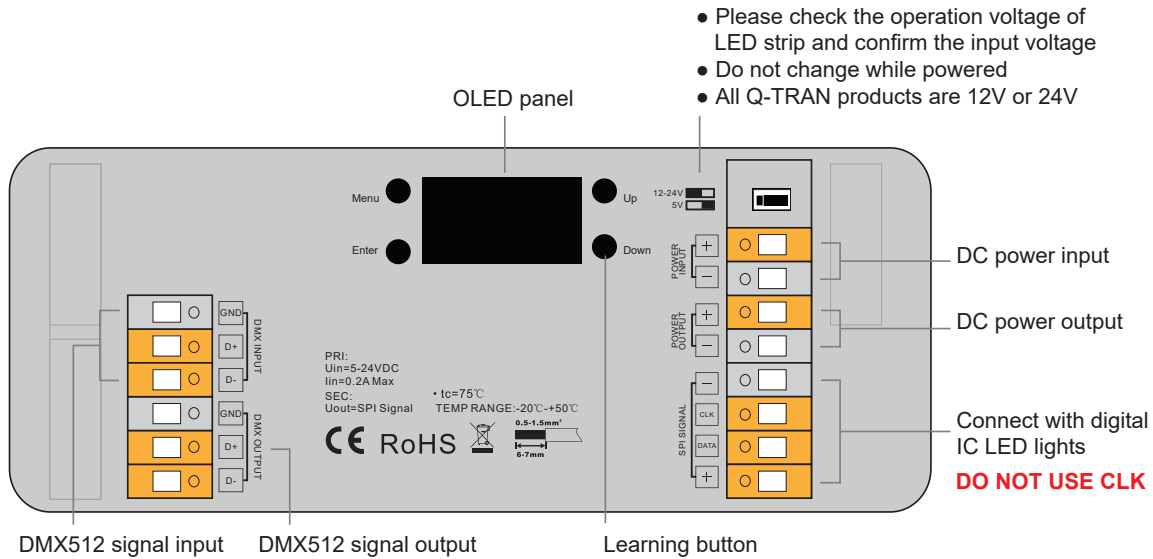
#### NOTE:

- DMX Shield must be grounded to earth ground at a single point external to power supply.
- Separate DMX universe per decoder configuration available upon request.

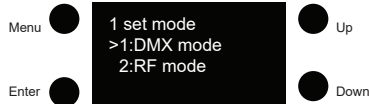


# FUNCTION INTRODUCTION

## POWER SUPPLY - QOM-ELED+IA



There are four buttons for configuration of settings with the OLED display: "Menu," "Enter," "Up" and "Down." Click "Menu" button to enter the menu selection interface, and keep clicking "Up" and "Down" buttons you will get 5 settings one by one as follows:



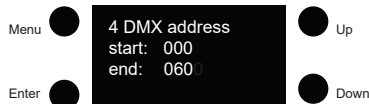
1. Set mode: to select an operation mode, click "Enter" button to enter the configuration interface, then click "Up" or "Down" buttons to choose DMX mode, click "Menu" button to confirm the setting and return to menu selection interface. **This setting should be in DMX mode for use with a DMX controller.**



2. IC config: to set driving IC type, click "Enter" button to enter the configuration interface, click "Up" and "Down" buttons to choose an IC type that drives your LED lights, click the "Menu" button to confirm and return to menu selection interface. Total 34 kinds of driving IC available. **This should be set to WS2811L for all Q-Tran IA Products**



3. LED type: to set RGB/RGBW color order, click the "Enter" button to enter the configuration interface, click "Up" and "Down" buttons to choose a color order, click the "Menu" button to confirm and return to menu selection interface. Total 7 kinds of color order available. **The LED type should be RGB for SWIA, and RGB IA, while it should be RGBW for RGBW IA or RGBA IA**



4. DMX address: to set DMX address under DMX mode, click the "Enter" button to enter the configuration interface, the cursor will be on the "hundreds" position of the start address, click the "Up" and "Down" buttons to change the number, click the "Enter" button to confirm and move the cursor to "tens" position and set, then "units" position, and then the end address, and click the "Menu" button to confirm the setting and return to menu selection interface. **Should be set based on the number of addresses needed. 000 to 511 would allow maximum length.**



5. Output length: to configure total output channels, click the "Enter" button to enter the configuration interface, the asterisk is on the "thousands" position, click the "Up" and "Down" buttons to change the number, click the "Enter" button to confirm and move the asterisk to "hundreds" position and set, then "tens" position and "units" position, and click the "Menu" button to confirm and return to menu selection interface. The SPI controller supports max. 3060 output channels. **This should be set to 3060 to max to allow for longest control.**