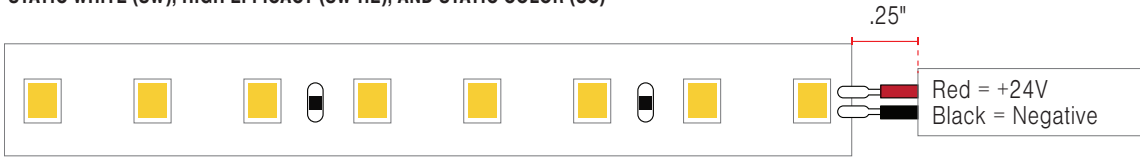


MOUNTING INSTALLATION FIXTURES - LINEAR - VERS



WIRING DETAILS

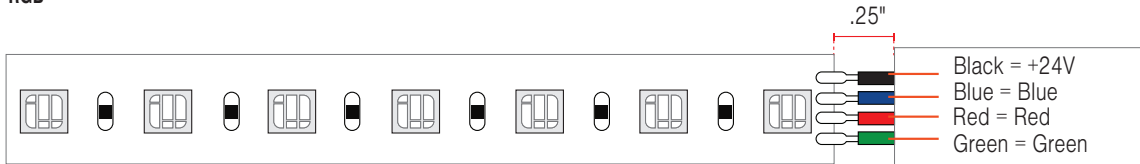
STATIC WHITE (SW), HIGH EFFICACY (SW-HE), AND STATIC COLOR (SC)



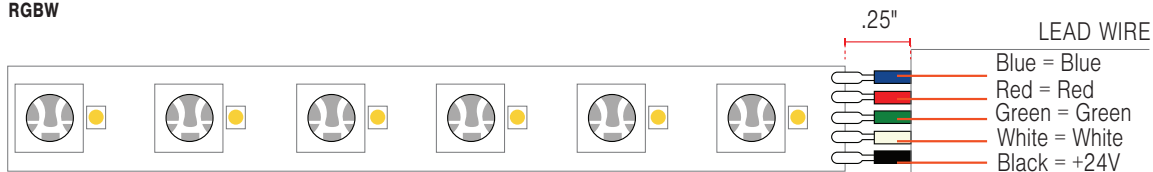
DYNAMIC WHITE (DW)



RGB



RGBW

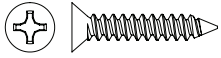


NOTES: • Field modifications must comply with Q-Tran's installation methods otherwise warranty is null and void

MOUNTING INSTALLATION FIXTURES - LINEAR - VERS



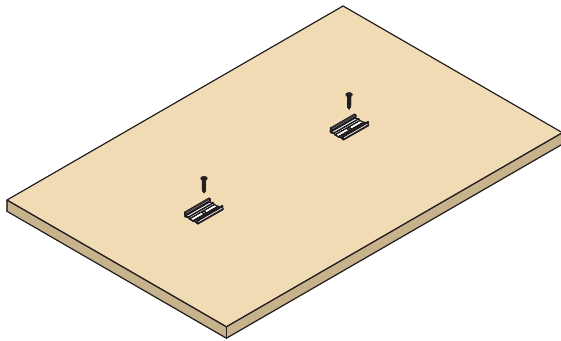
SCREW FOR CONCEALED CLIP



#4 x 5/8" flat head screw

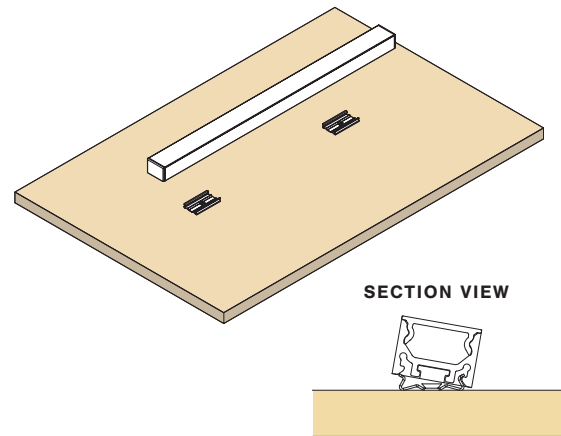
CONCEALED CLIP INSTALL

- 1 Using the #4 x 5/8" flat head screws, mount the concealed clip. The first and last clip should be placed 4" inward from each end of the VERS.



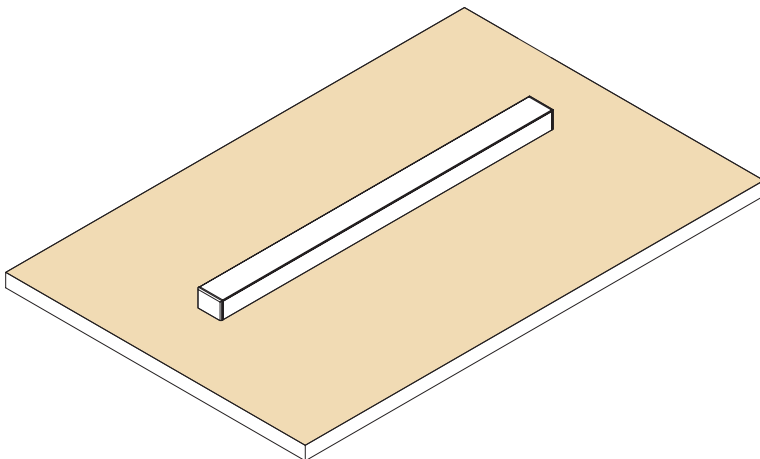
NOTE: 2 clips provided for 4' or less;
4 clips provided for greater than 4'

- 2 Mount the VERS fixture by snapping onto the concealed clips.



NOTE: The VERS makes a secure connection with the concealed clip by tilting and snapping on.

ASSEMBLED

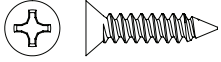


NOTES: • Field modifications must comply with Q-Tran's installation methods otherwise warranty is null and void

MOUNTING INSTALLATION FIXTURES - LINEAR - VERS



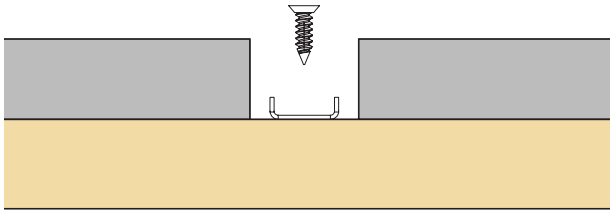
SCREW FOR MAGNET CLIP



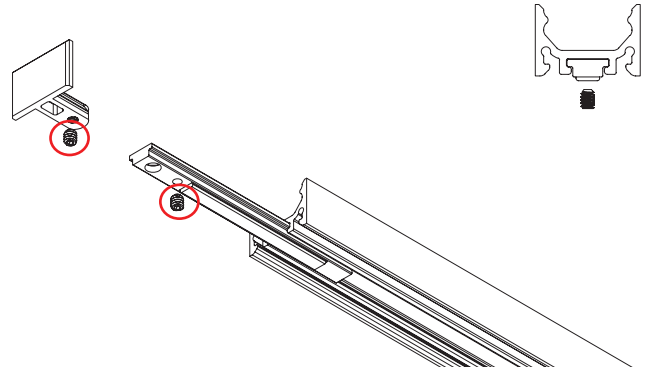
#6 flat head screw

MAGNET INSTALL

- 1 Using the #6 flat head screws, mount two screws into the 12" magnet bracket through the slotted holes at each end.

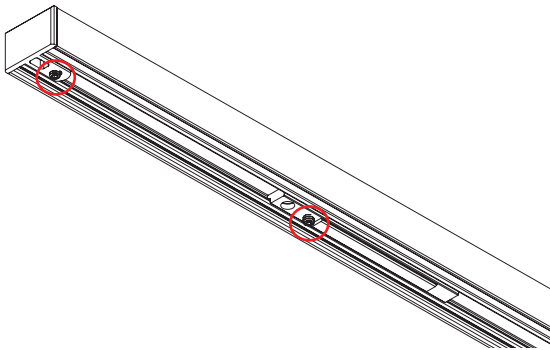


- 2 Unscrew the CLS VERS endcap using the supplied allen key, and slide in the magnet clips.



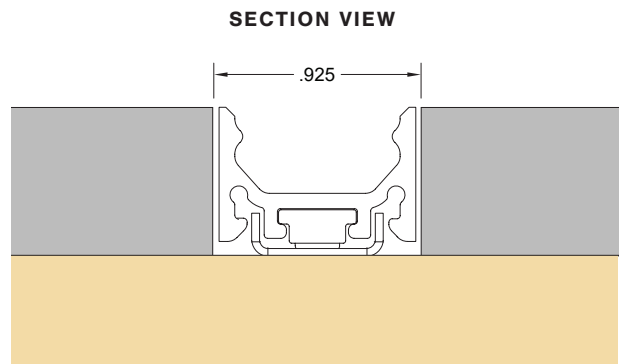
NOTE: 1 magnet clip needed per foot.

- 3 Using the supplied set screws fasten the CLS endcap that was removed, and secure the magnet clips into your desired location.



NOTE: The magnet clips should be offset to the flat heads used to secure the bracket, to maximize magnetic connection.

- 4 Drop the assembled VERS fixture into the mounted magnet bracket, the bracket should sit within the extrusion as pictured below.



NOTES: • Field modifications must comply with Q-Tran's installation methods otherwise warranty is null and void

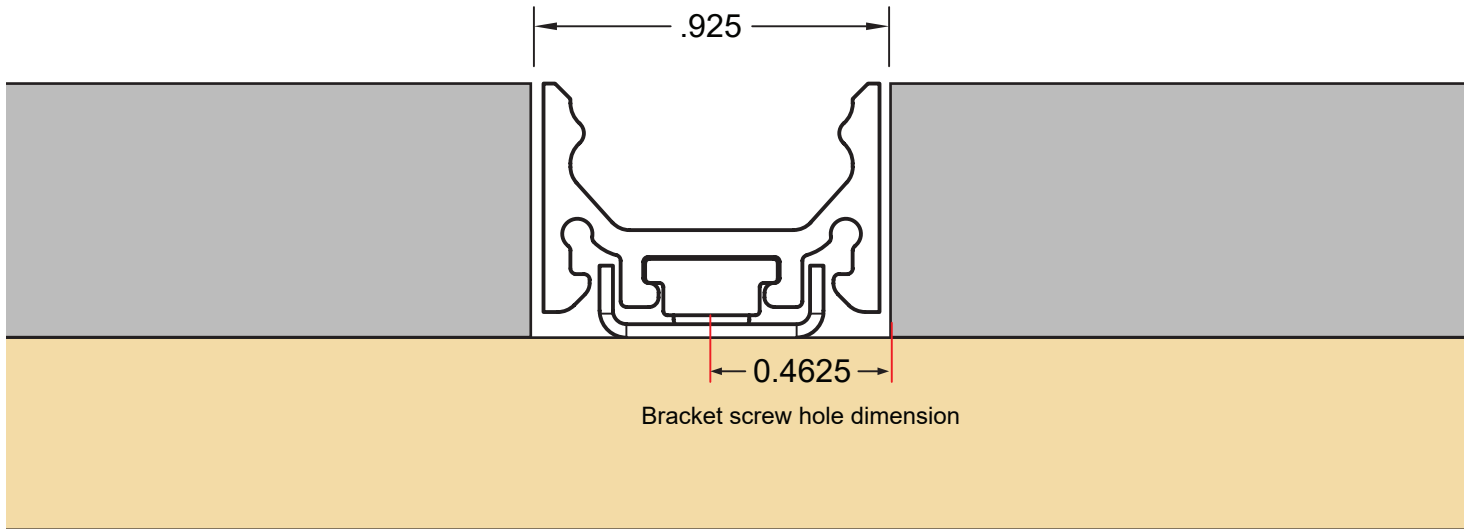
MOUNTING INSTALLATION FIXTURES - LINEAR - VERS



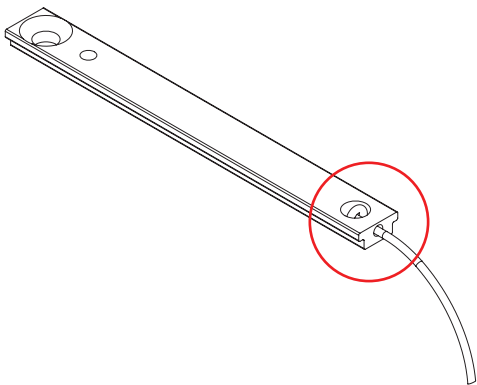
MAGNET INSTALL

COVE INFO

The VERS magnet install requires a .925" cut out to be recessed (The magnet bracket should be centered in the millwork).



NOTE: Height of millwork for recessed VERS should be based off the product specific dimensions found on the cutsheet.



NOTE: For magnet installations requiring seismic precautions, monofilament may be used with magnet clip as pictured below.

NOTES: • Field modifications must comply with Q-Tran's installation methods otherwise warranty is null and void