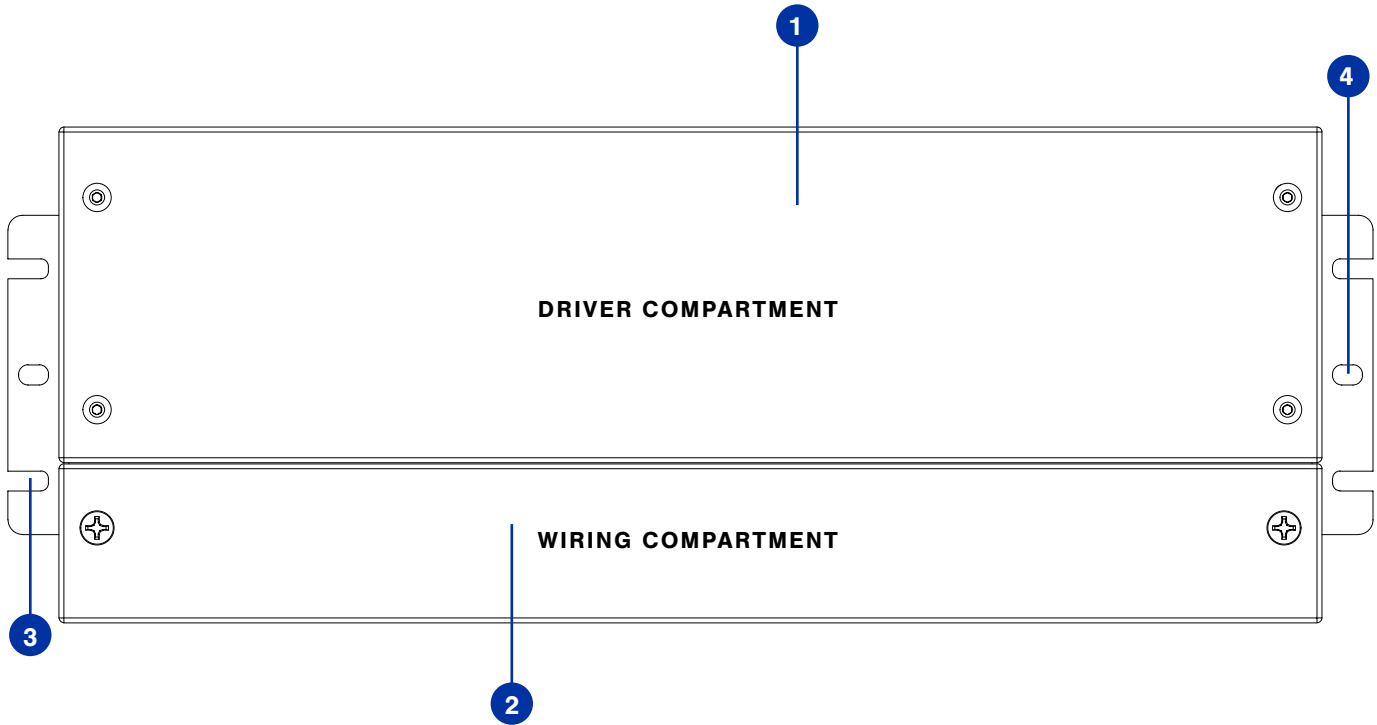


# INSTALLATION - QZ

## POWER SUPPLY - MASTER INSTALL GUIDE



TOP VIEW



### QZ COMPONENTS

- 1 Driver Compartment
- 2 Wiring Compartment
- 3 Mounting Tab Slots
- 4 Mounting Tab Holes

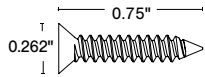
# INSTALLATION - QZ

## POWER SUPPLY - MASTER INSTALL GUIDE

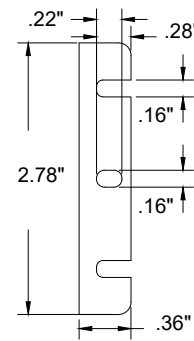


### REQUIRED HARDWARE:

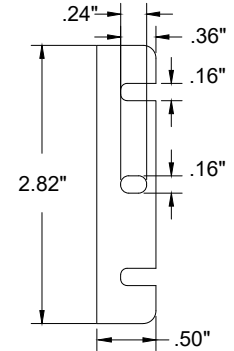
- #6 Flat head screw



### MOUNTING FOOT:



30/60/96W



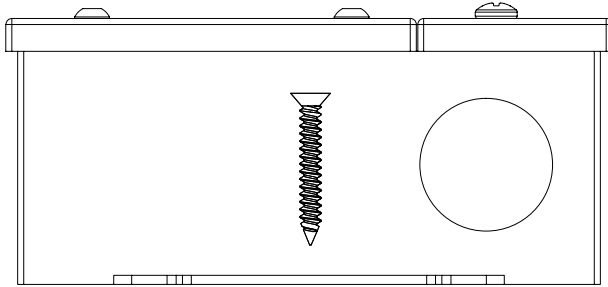
192/288W

### MOUNTING

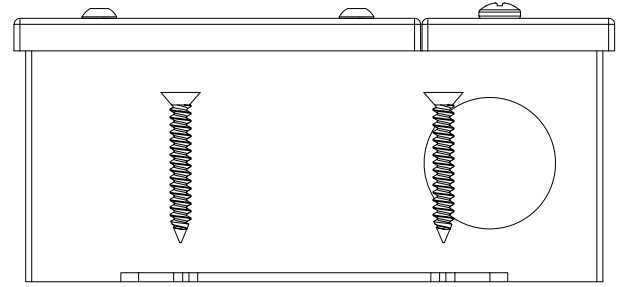
1

- The QZ can be mounted either vertically or horizontally, utilizing the supplied screws and the mounting tabs on the bottom of the enclosure

#### CENTER HOLE



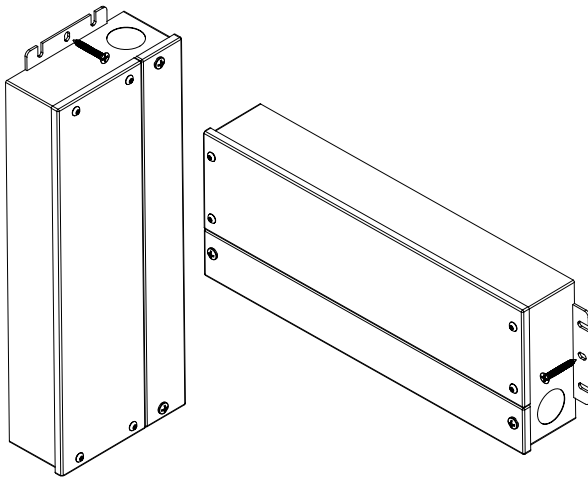
#### SIDE SLOTS



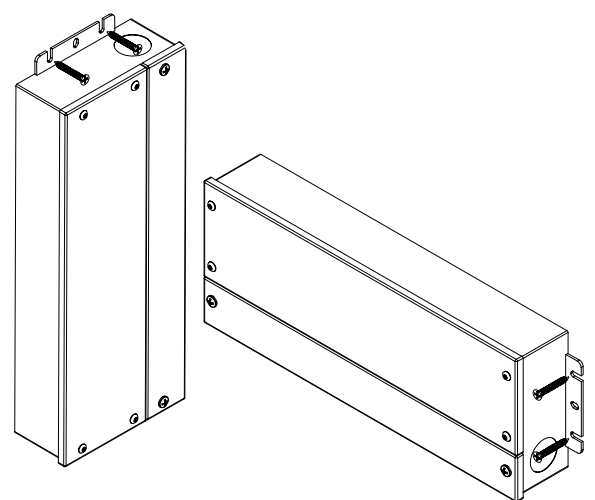
2

- The QZ must be mounted into a stud for sufficient support, using either the center holes or the slots of each mounting tab

#### CENTER HOLE



#### SIDE SLOTS

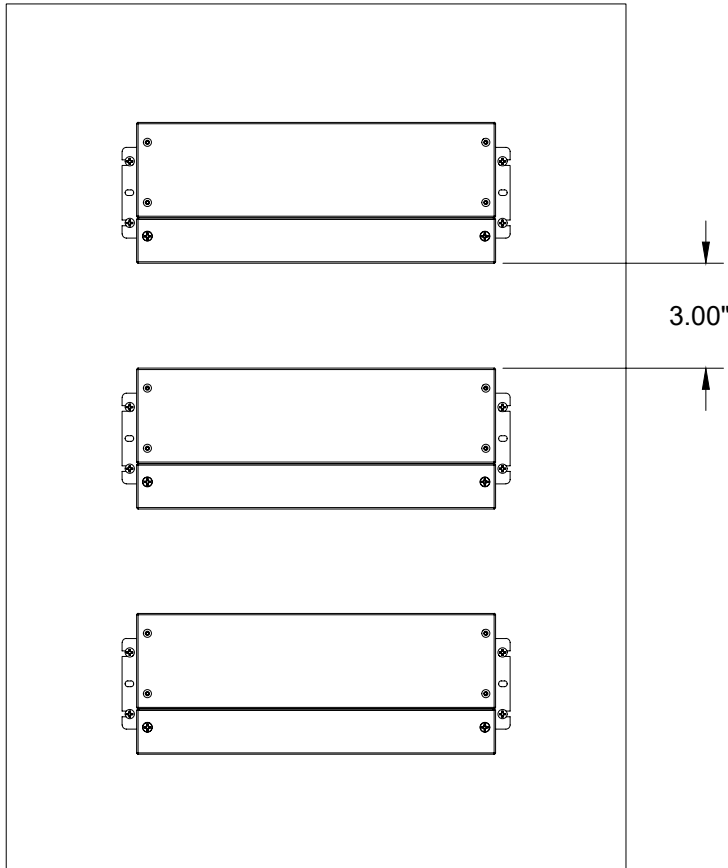


# INSTALLATION - QZ

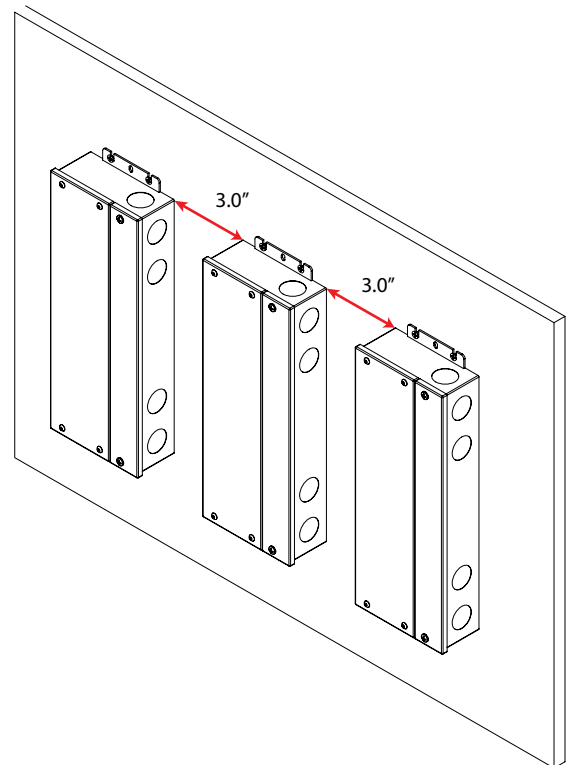
## POWER SUPPLY - MASTER INSTALL GUIDE



- 3 • When installing multiple QZ power supplies, separate the enclosures by 3" of space from edge to edge. This prevents the rise of ambient temperature between the power supplies.



**Horizontal mount illustrated above**



**Vertical mount illustrated above**

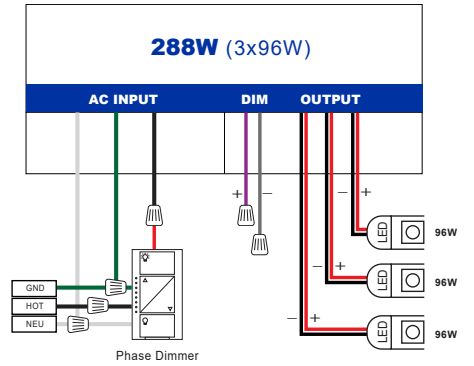
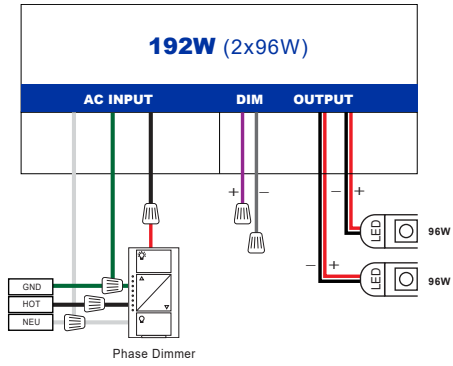
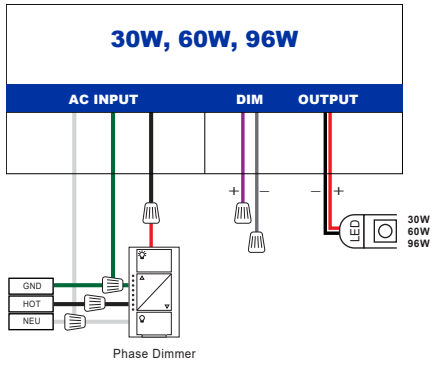
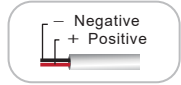
# INSTALLATION - QZ

## POWER SUPPLY - MASTER INSTALL GUIDE

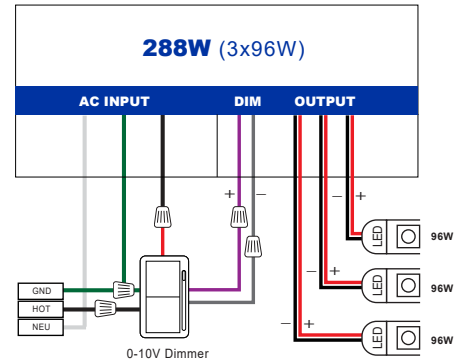
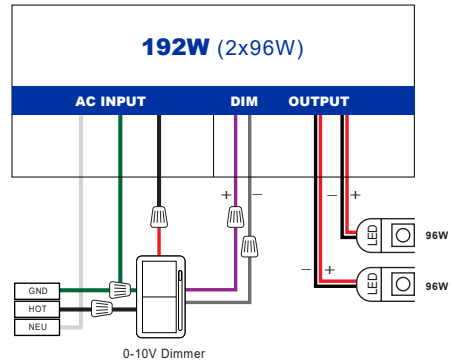
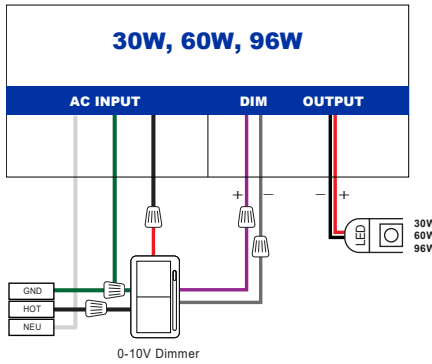
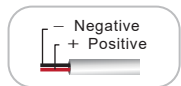


### 4 • Wiring diagram

#### PHASE DIMMING



#### 0-10V DIMMING

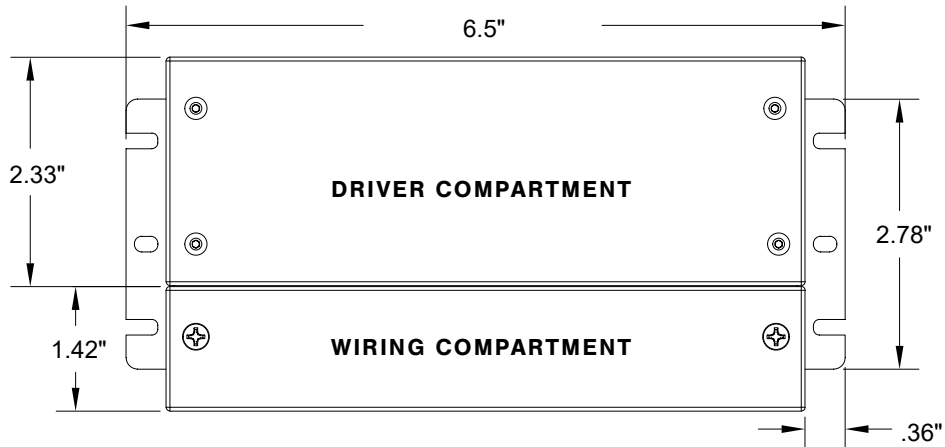


# INSTALLATION - QZ 30W

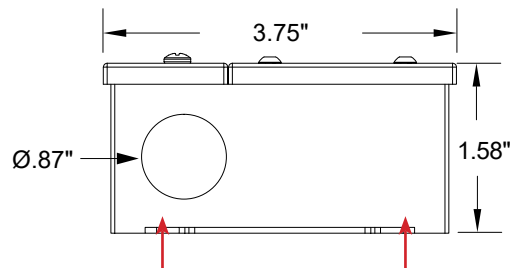
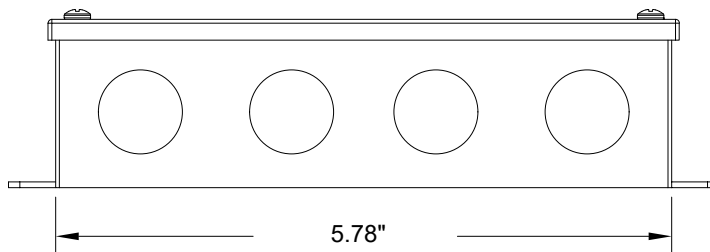
## POWER SUPPLY - DIMENSIONS



TOP VIEW



WIRING COMPARTMENT VIEW



WIRING COMPARTMENT

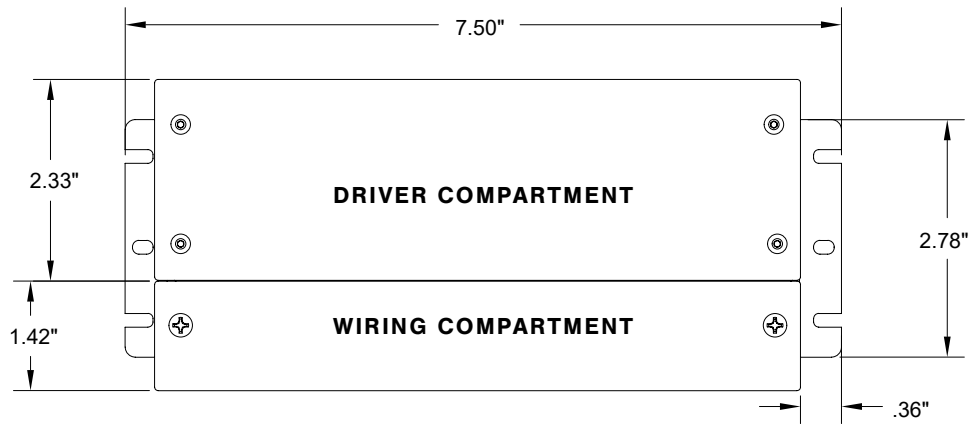
DRIVER COMPARTMENT

# INSTALLATION - QZ 60W

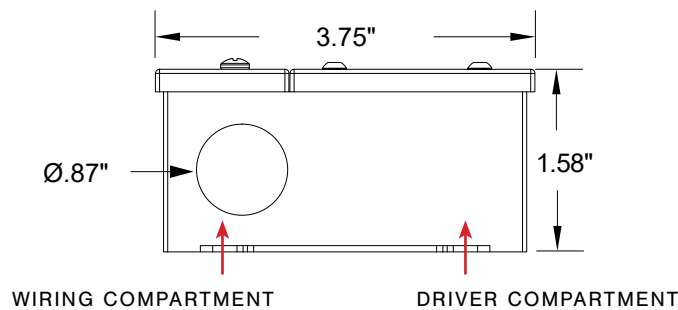
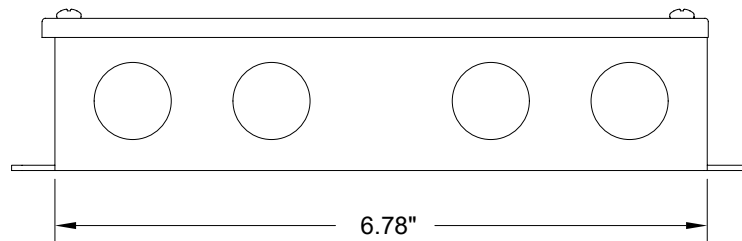
## POWER SUPPLY - DIMENSIONS



TOP VIEW



WIRING COMPARTMENT VIEW

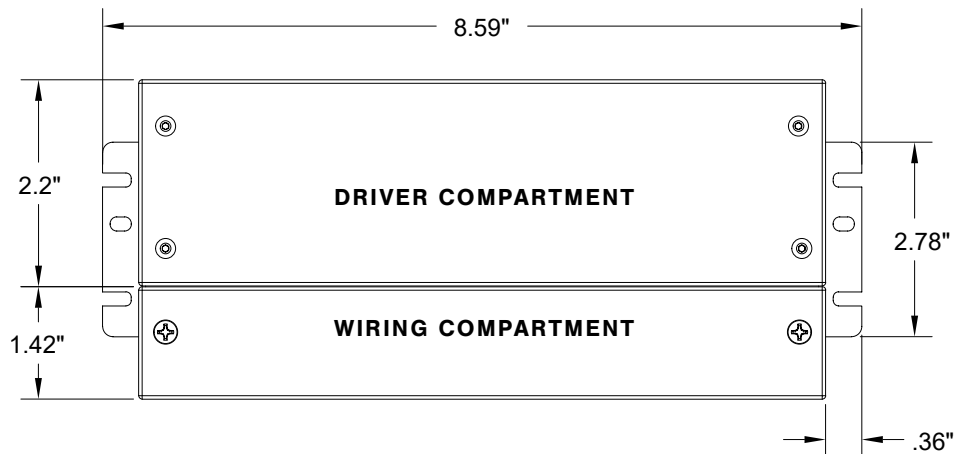


# INSTALLATION - QZ 96W

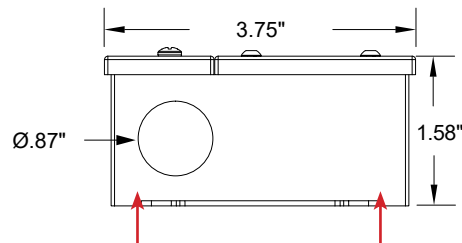
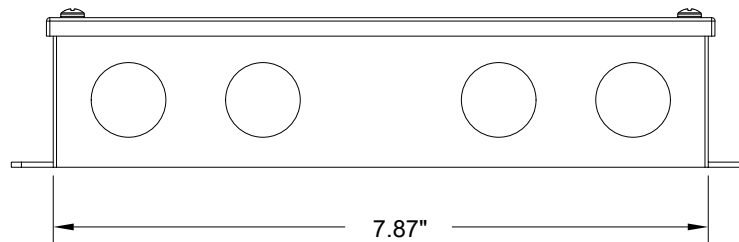
## POWER SUPPLY - DIMENSIONS



TOP VIEW



WIRING COMPARTMENT VIEW



WIRING COMPARTMENT

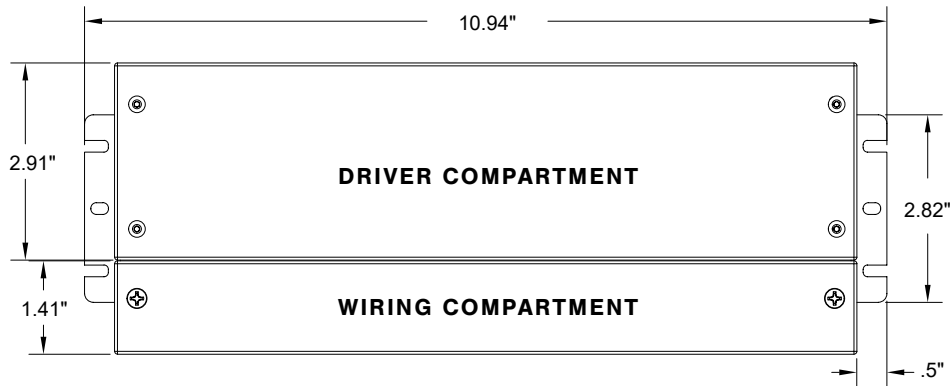
DRIVER COMPARTMENT

# INSTALLATION - QZ 192W

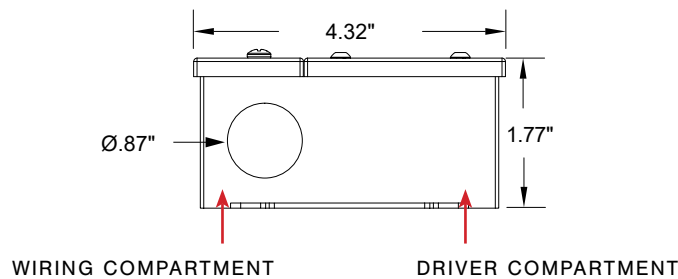
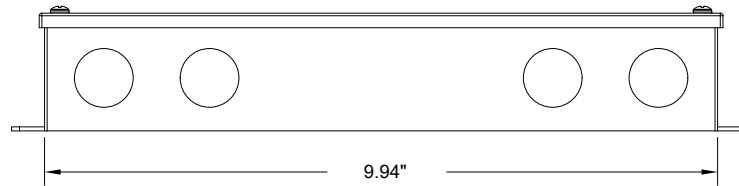
## POWER SUPPLY - DIMENSIONS



TOP VIEW



WIRING COMPARTMENT VIEW



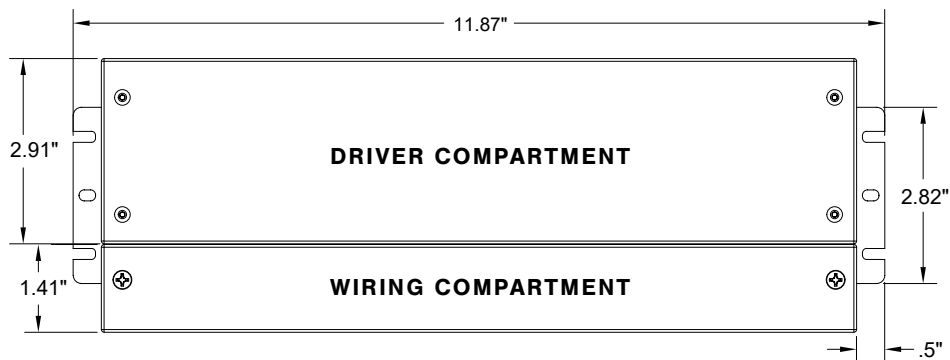


# INSTALLATION - QZ 288W

## POWER SUPPLY - DIMENSIONS



TOP VIEW



WIRING COMPARTMENT VIEW

