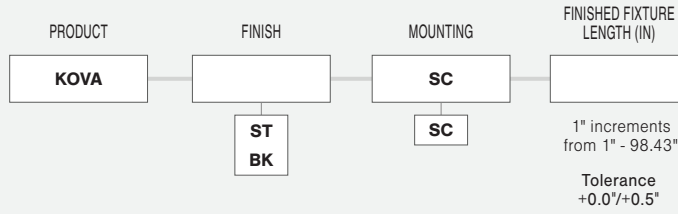


# KOVA

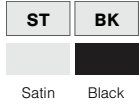
## EXTRUSIONS - ALUMINUM

Model: iQA

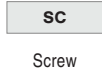


- NOTES:**
- UL Listed when assembled with STRIP LEDs at Q-Tran
  - Field modifications must comply with Q-Tran's installation methods otherwise warranty is null and void

### FINISH



### MOUNTING

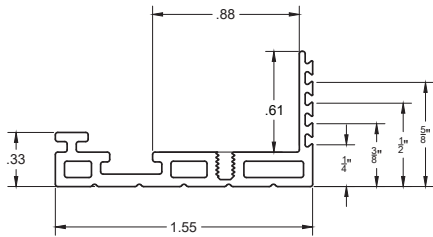


### COMPATIBILITY

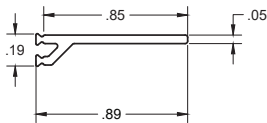
EXTRUSIONS	SURFACE								CORNER			RECESSED		
	SLIM	WIDE	ROND	VEGA	TORQ	TRE3	LALO	TALO	ARKA	TELA	VEVE	FLUR	LATO	MDIN
w/ SST clip	✓	✗	✓	✓	✓	✓	✓	✗	✓	✓	✓	✗	✗	✗
FIXTURES	VERS													
	LINEAR	PROUD(01)			FLUSH(02)		CLEAR(03)		GRAZER(04)		OPTICS(05)			
w/ MG & MMA	✓	✓	✓	✓	✓	✓	✓	✓	✓	✓	✓	✓	✓	✓
FLEXIBLE														
	w/ WSC or WSCS	BOXA	KURV	WURM	ZALA									
w/ WSC or WSCS	✓	✓	✓	✓	✓	✓	✓	✓	✓	✓	✓	✓	✓	
LINE VOLTAGE														
w/ PPS or PL	120V													
w/ PPS or PL	✓													

✓ = Compatible ✗ = NOT Compatible

### DIMENSIONS

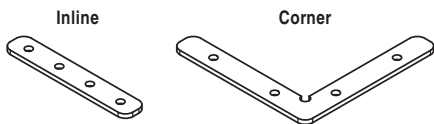


Profile (Main Channel)



Profile (WNG-UP)

### BRACKET



PN: KOVA-BR-INLINE

PN: KOVA-BR-CORNER

PROJECT NAME	DATE	COMPANY	TYPE	NOTE

# RESOURCE GUIDE

## EXTRUSIONS - KOVA

Model: iQA



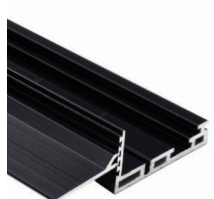
### FINISH

SATIN



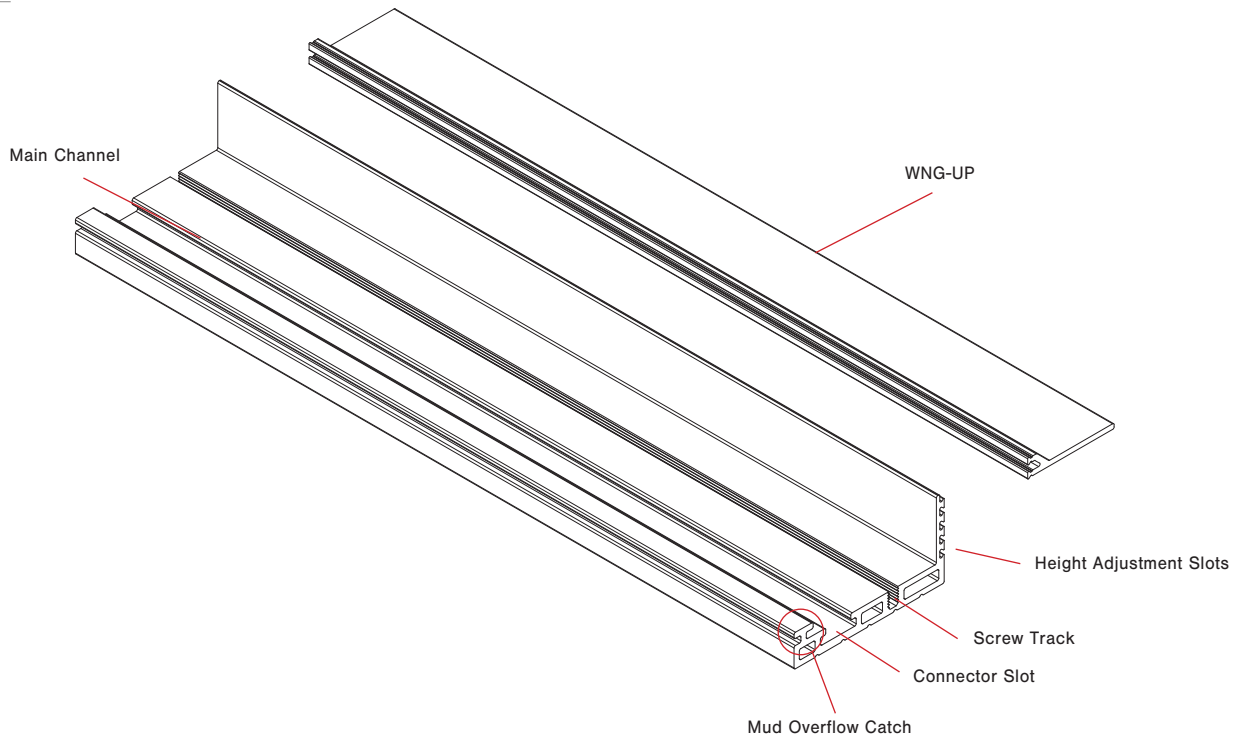
SATIN ANODIZED  
MATTE FINISH

BLACK



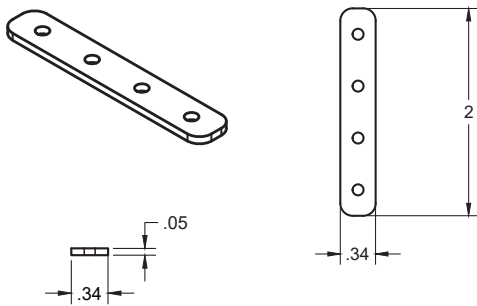
BLACK ANODIZED  
MATTE FINISH

### COMPONENTS

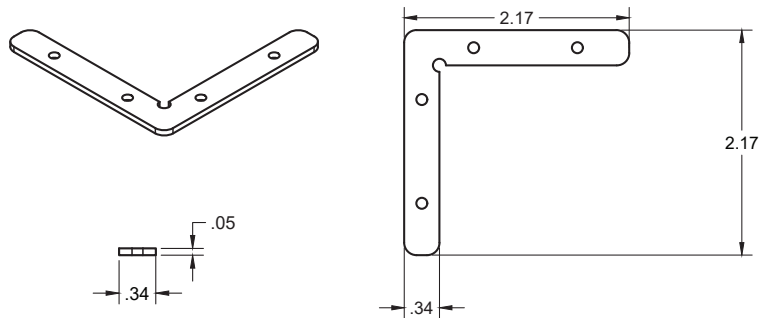


### BRACKETS

**Inline Bracket**  
KOVA-BR-INLINE  
Sold separately



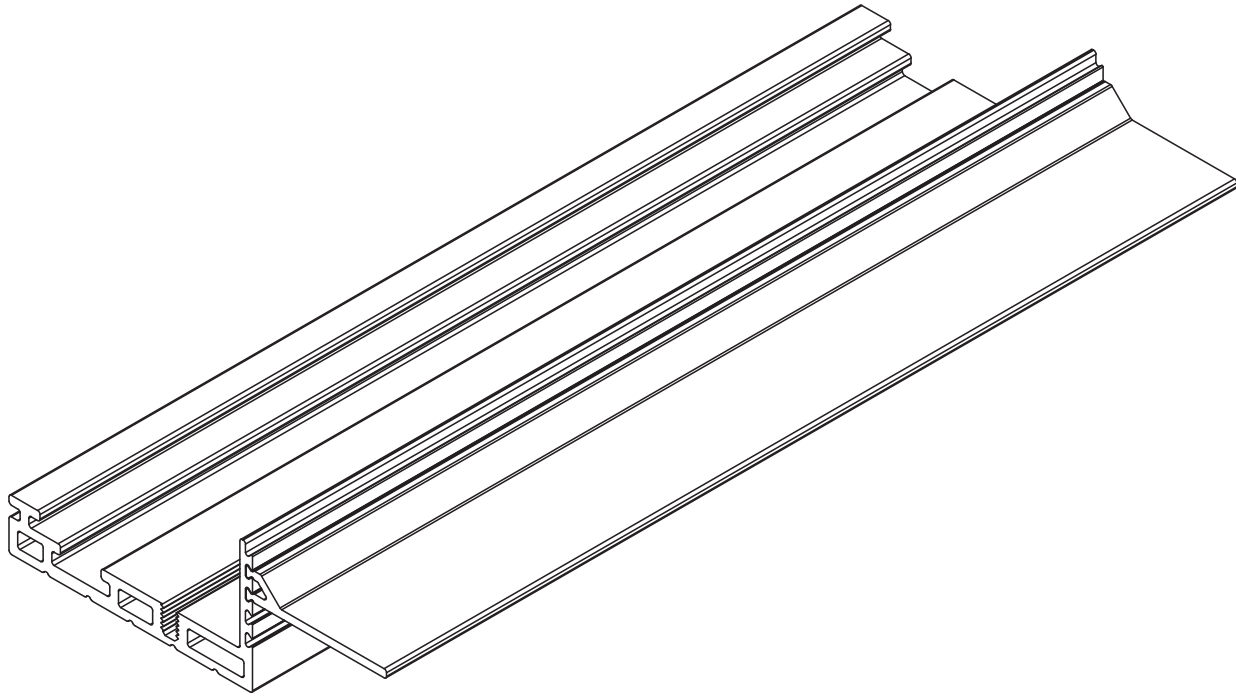
**Corner Bracket**  
KOVA-BR-CORNER  
Sold separately



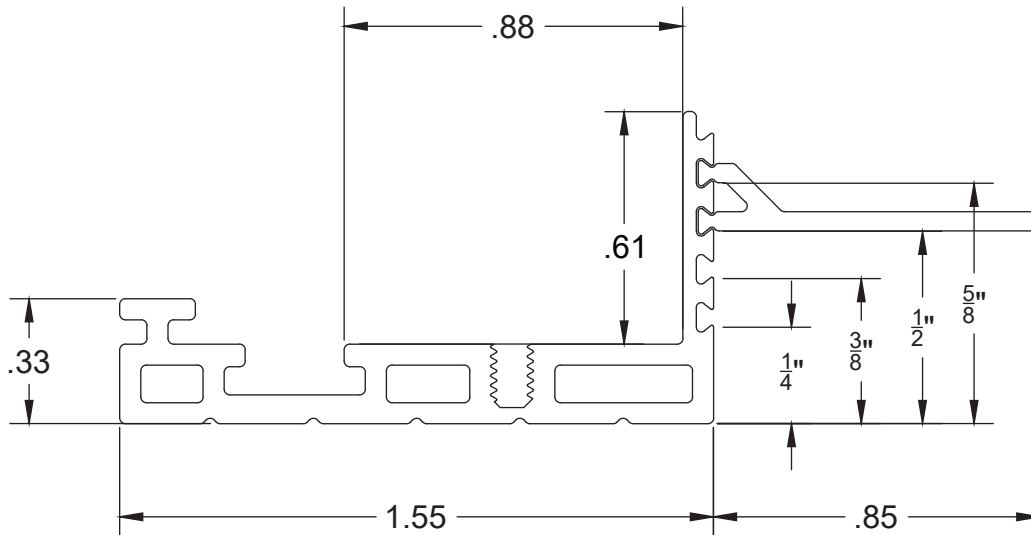
# RESOURCE GUIDE

## EXTRUSIONS - KOVA

Model: iQA



### DIMENSIONS



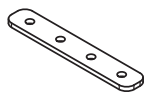
# MOUNTING INSTALLATION

## EXTRUSIONS - KOVA

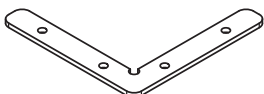
Model: iQA



### BRACKET

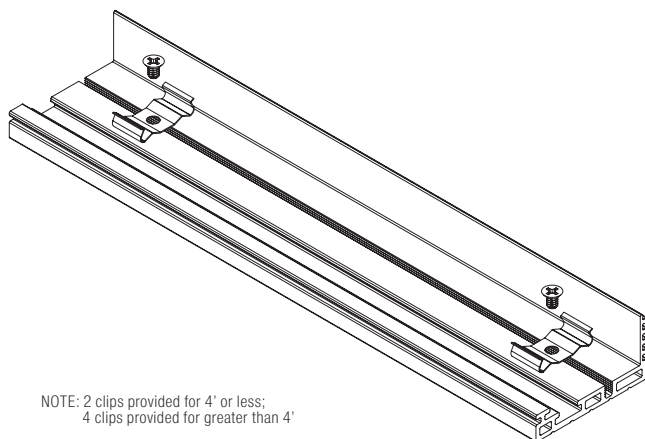


Inline



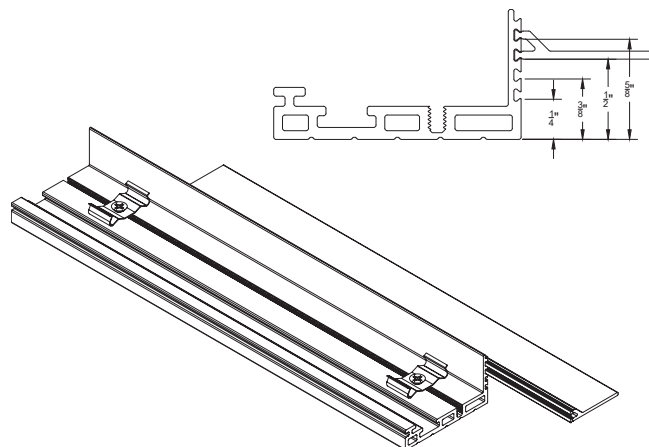
Corner

- 1 Using the 4-40 flat head screws, fasten the supplied mounting clips to the screw track.

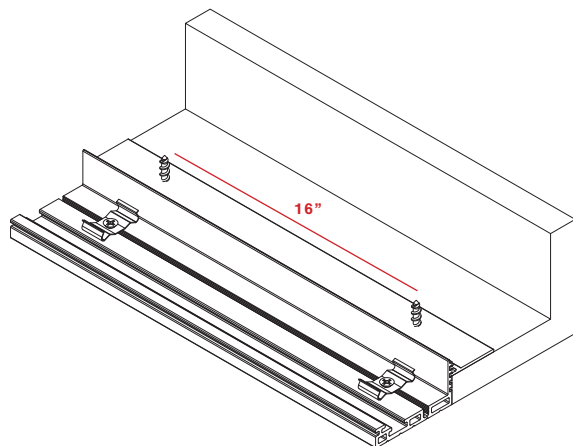


NOTE: 2 clips provided for 4' or less;  
4 clips provided for greater than 4'

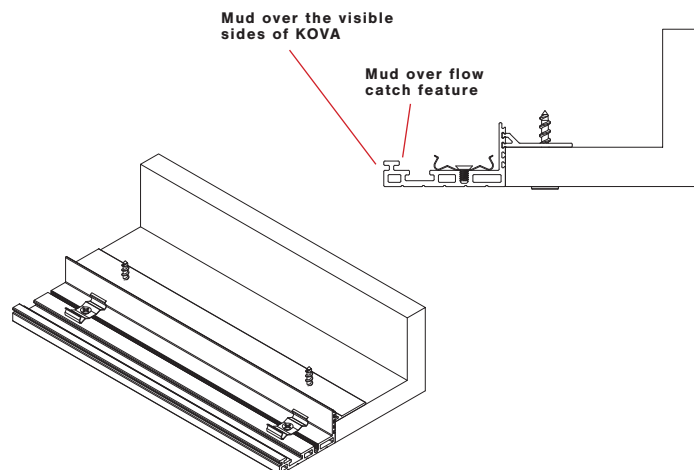
- 2 Slide the WNG-UP attachment into the main channel (FLAT SIDE FACING DOWN), select the height slot that matches the drywall thickness being used.



- 3 Drill pilot holes from the bottom of the drywall up towards the top of the WNG-UP then secure it with #6 x 1" screws, placed 16" apart.



- 4 Mud over/paint the bottom and outward facing side of KOVA to create a seamless transition from ceiling to channel.



**NOTES:** • Field modifications must comply with Q-Tran's installation methods otherwise warranty is null and void

# MOUNTING INSTALLATION

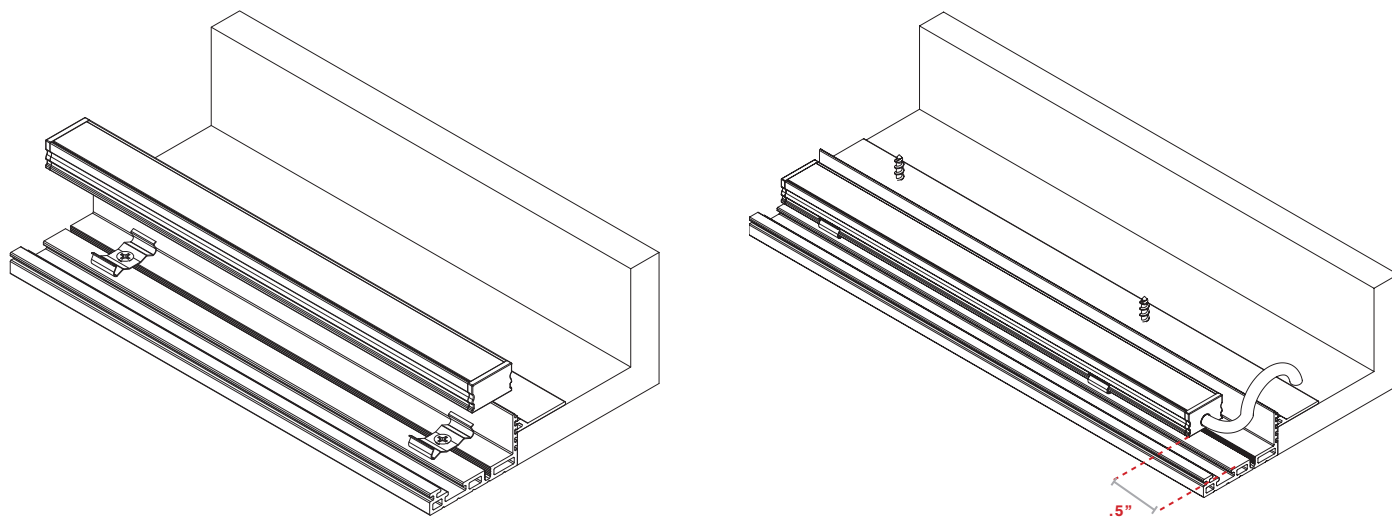
## EXTRUSIONS - KOVA

Model: iQA



5

Install the supplied fixture by snapping it into the already fastened mounting clips. The fixture should be placed so there is at least .5" of space for the lead wire to bend toward the power supply connection.



**NOTES:** • Field modifications must comply with Q-Tran's installation methods otherwise warranty is null and void

# MOUNTING INSTALLATION

## EXTRUSIONS - KOVA

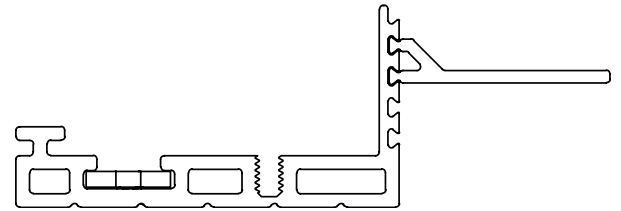
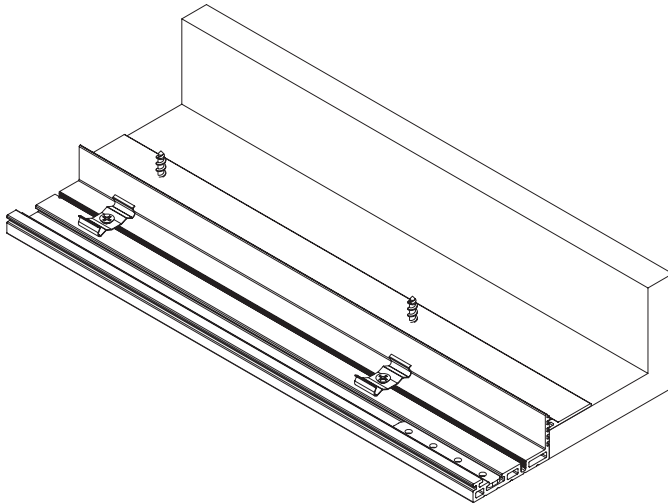
Model: iQA



### TO CONNECT LINEAR LENGTHS

1

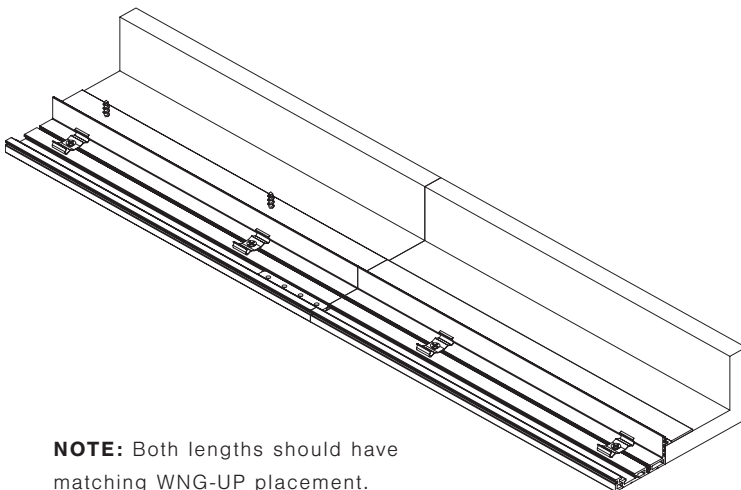
For your 1st linear length, follow steps 1-3 of the install guide. Once mounted, insert the inline connector into the main channel's connector slot.



**NOTE:** Do not tighten the inline connector at this point of the installation.

2

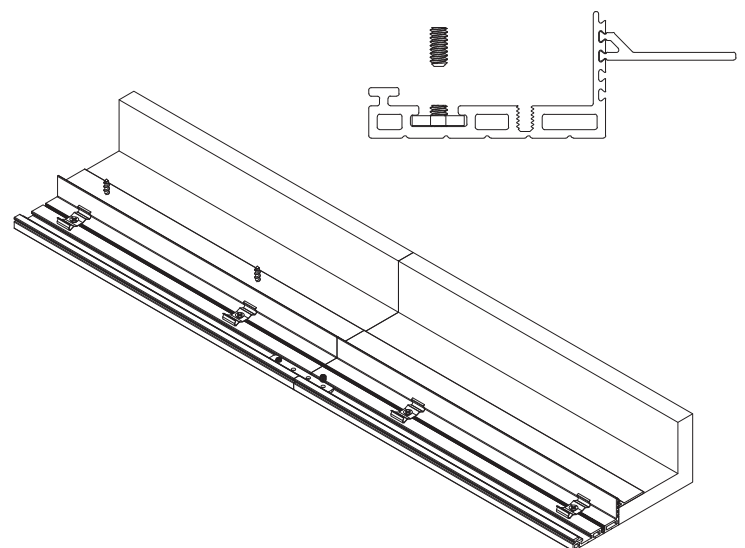
For the 2nd linear length, follow steps 1-2 as detailed on the install guide. **Prior to step three, lift the second length above the drywall so that it's butted up against the first mounted length.**



**NOTE:** Both lengths should have matching WNG-UP placement.

3

Slide the inline connector so that it is split between the two lengths, and fasten the connector using the 6-32 set screws (Proceed to step three from the install guide to finish mounting the 2nd length, and follow the remaining steps to complete this install)



**NOTES:** • Field modifications must comply with Q-Tran's installation methods otherwise warranty is null and void

# MOUNTING INSTALLATION

## EXTRUSIONS - KOVA

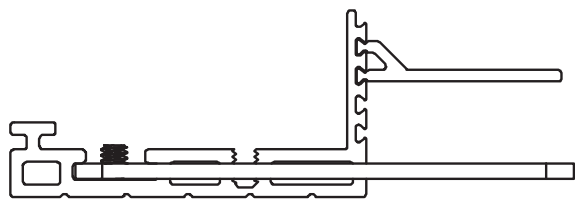
Model: iQA



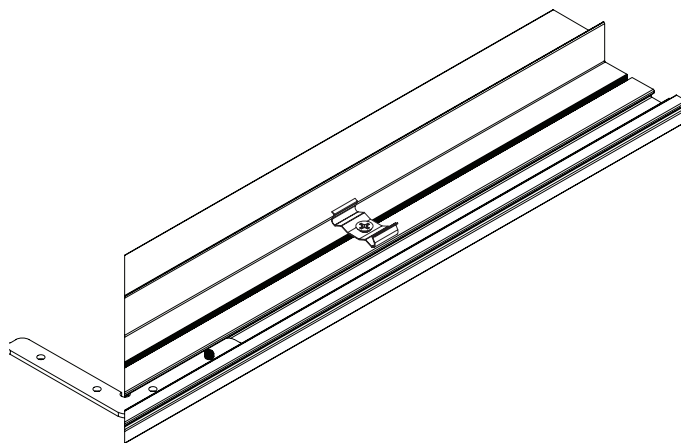
### TO CONNECT MITERED LENGTHS

1

After following steps 1 & 2 of the install guide, insert the corner connector into the 1st mitered main channel's connector slot and fasten with the 6-32 set screw.



**NOTE:** When mitering a linear piece of KOVA, cut the main channel and UP-WNG while assembled together.



2

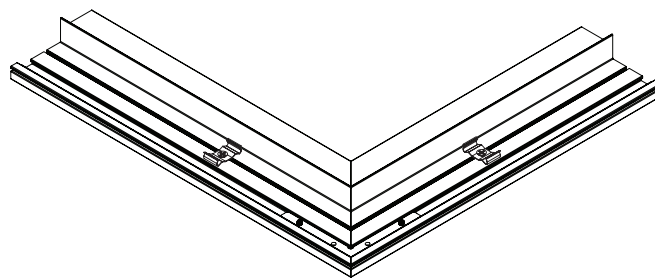
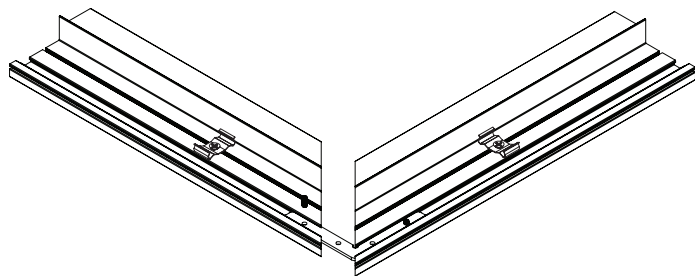
Slide in your 2nd mitered KOVA's main channel into the already fastened connector, and fasten with the 2nd 6-32 set screw.

**(Both lengths should have matching WNG-UP placement)**

### ASSEMBLED

Ensure both set screws are tightened and the corner connector stays in place.

**(Proceed to step three from the install guide)**



**NOTES:** • Field modifications must comply with Q-Tran's installation methods otherwise warranty is null and void