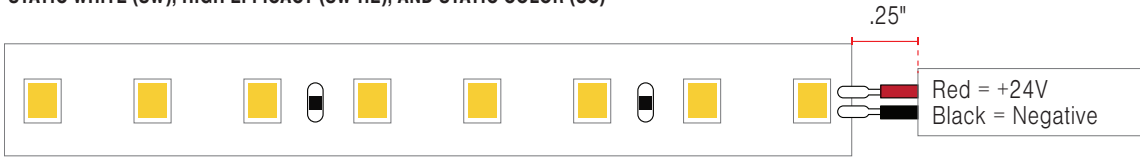


# MOUNTING INSTALLATION FIXTURES - LINEAR - VERS



## WIRING DETAILS

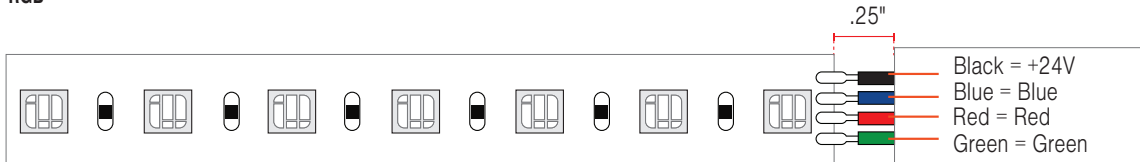
### STATIC WHITE (SW), HIGH EFFICACY (SW-HE), AND STATIC COLOR (SC)



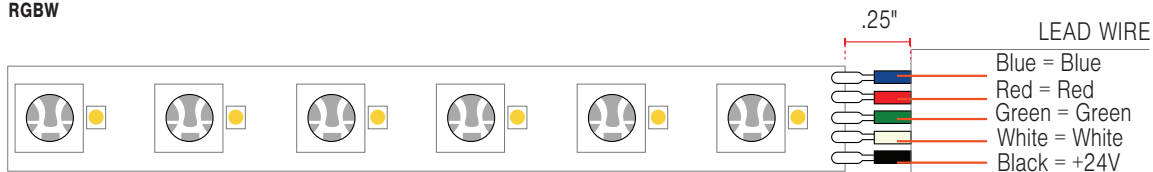
### DYNAMIC WHITE (DW)



### RGB



### RGBW

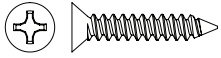


**NOTES:** • Field modifications must comply with Q-Tran's installation methods otherwise warranty is null and void

# MOUNTING INSTALLATION FIXTURES - LINEAR - VERS



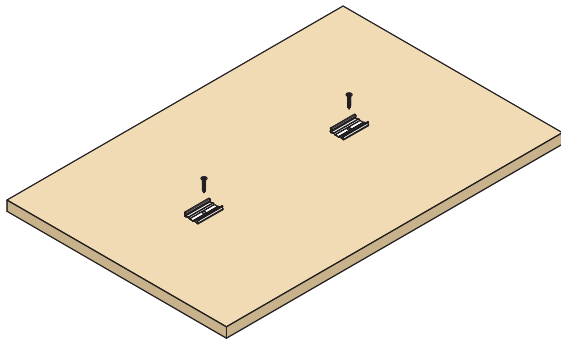
## SCREW FOR CONCEALED CLIP



#4 x 5/8" flat head screw

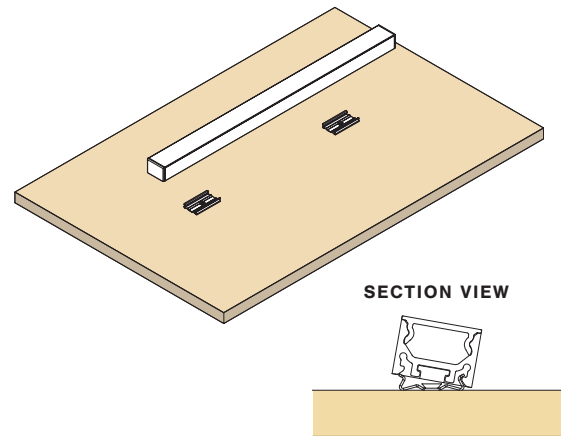
## CONCEALED CLIP INSTALL

- 1 Using the #4 x 5/8" flat head screws, mount the concealed clip. The first and last clip should be placed 4" inward from each end of the VERS.



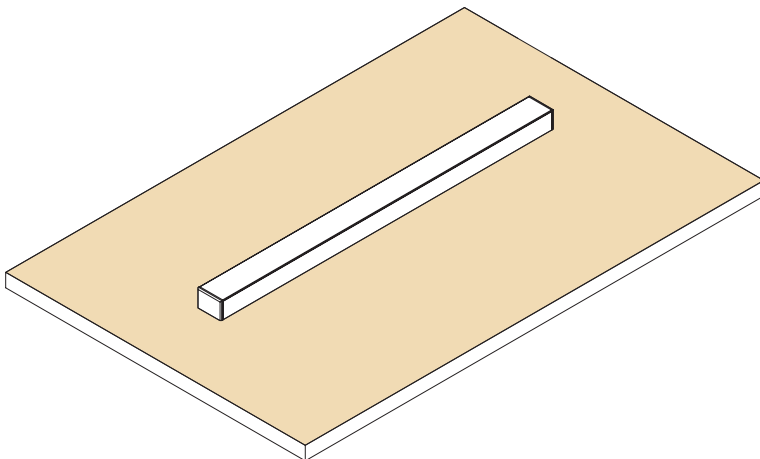
**NOTE:** 2 clips provided for 4' or less;  
4 clips provided for greater than 4'

- 2 Mount the VERS fixture by snapping onto the concealed clips.



**NOTE:** The VERS makes a secure connection with the concealed clip by tilting and snapping on.

## ASSEMBLED

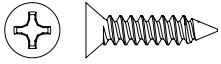


**NOTES:** • Field modifications must comply with Q-Tran's installation methods otherwise warranty is null and void

# MOUNTING INSTALLATION FIXTURES - LINEAR - VERS



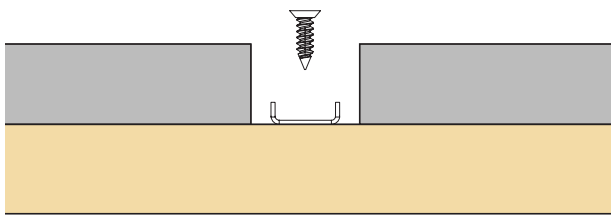
## SCREW FOR MAGNET CLIP



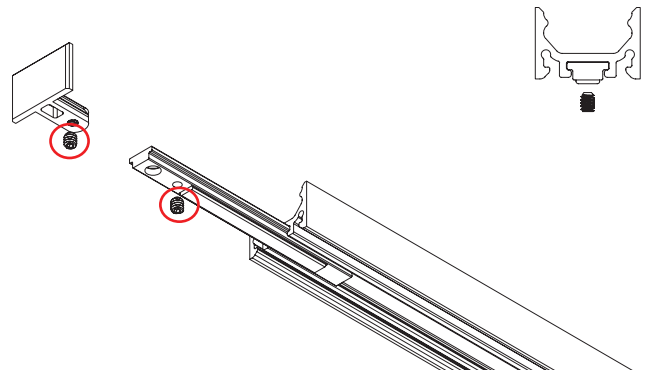
#6 flat head screw

## MAGNET INSTALL

- 1 Using the #6 flat head screws, mount two screws into the 12" magnet bracket through the slotted holes at each end.

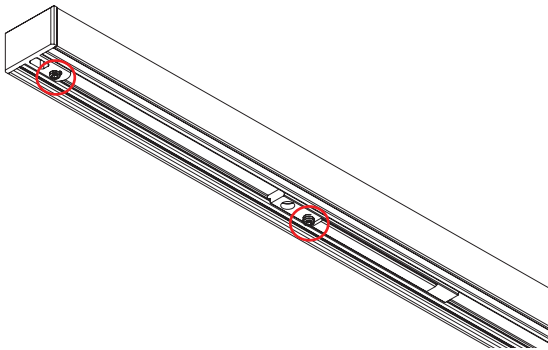


- 2 Unscrew the CLS VERS endcap using the supplied allen key, and slide in the magnet clips.



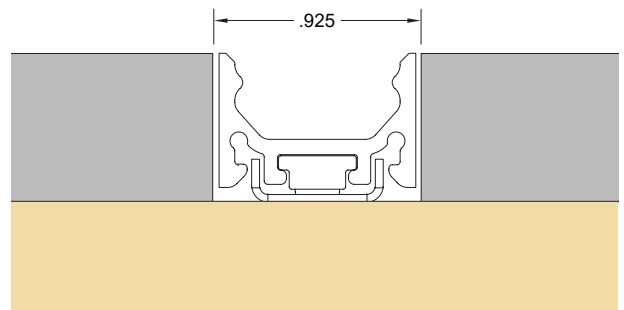
**NOTE:** 1 magnet clip needed per foot.

- 3 Using the supplied set screws fasten the CLS endcap that was removed, and secure the magnet clips into your desired location.



- 4 Drop the assembled VERS fixture into the mounted magnet bracket, the bracket should sit within the extrusion as pictured below.

### SECTION VIEW



**NOTE:** The magnet clips should be offset to the flat heads used to secure the bracket, to maximize magnetic connection.

**NOTES:** • Field modifications must comply with Q-Tran's installation methods otherwise warranty is null and void

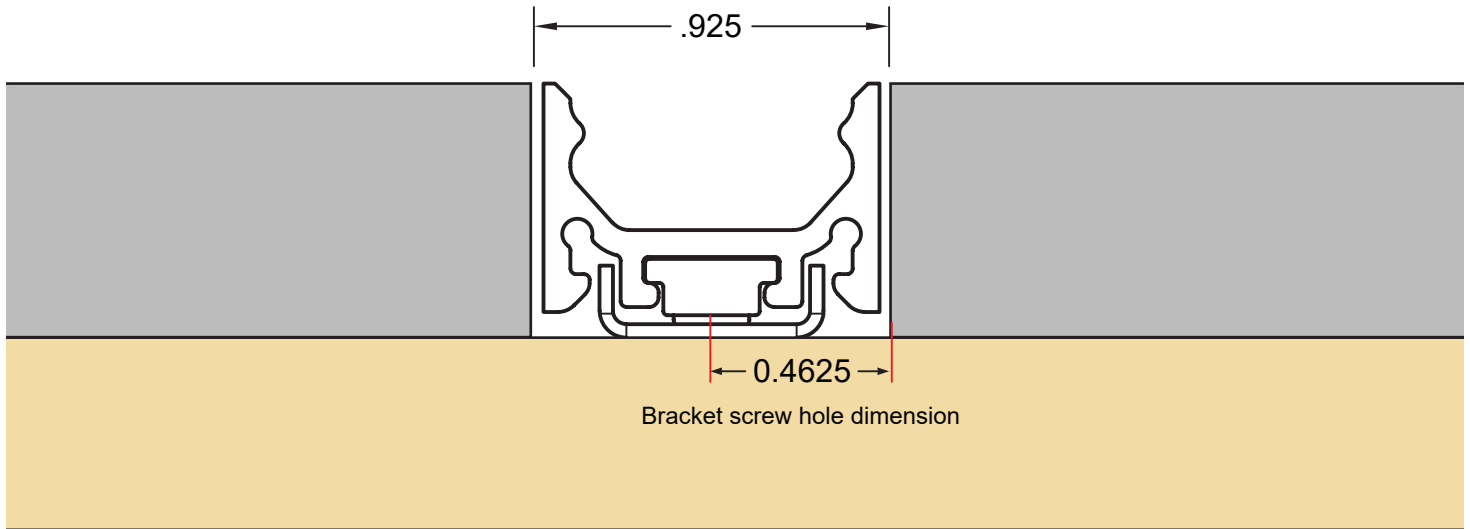
# MOUNTING INSTALLATION FIXTURES - LINEAR - VERS



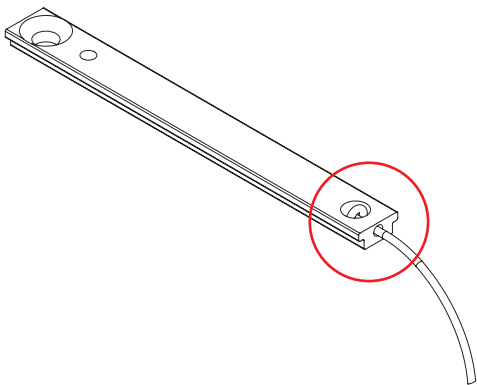
## MAGNET INSTALL

### COVE INFO

The VERS magnet install requires a .925" cut out to be recessed (The magnet bracket should be centered in the millwork).



**NOTE:** Height of millwork for recessed VERS should be based off the product specific dimensions found on the cutsheet.



**NOTE:** For magnet installations requiring seismic precautions, monofilament may be used with magnet clip as pictured below.

**NOTES:** • Field modifications must comply with Q-Tran's installation methods otherwise warranty is null and void