



# iQ-ND-96-20 & iQ-D010-96-20

iQ-ND-96-20 and iQ-D010-96-20 are Q-Tran's newest interior rated, surface mounted, easy to use power supply. The power supply is rated IP20, interior use only. The driver is a non-dimmable power supply with an optional 0-10V dimming module in the secondary compartment. The output voltage is 24VDC constant voltage and this driver is capable of powering up to 96W of load. This easy to use driver is great for simple jobs that need a high quality, low cost solution.

## FEATURES

- Limited output voltage and current, plus isolation for safe operation
- Dimmable w/ additional 0-10V Dimming Module
- Fully potted driver(s) for moisture resistance
- Surface mount only
- Suitable for dry and damp locations
- Suitable for Indoor use
- Primary Voltage - Universal (120-277V)
- Wide operating temperature range: -20 degF to +140 degF
- Available finishes are White or Black
- Class 2
- UL Listed
- 5 year warranty

## PERFORMANCE

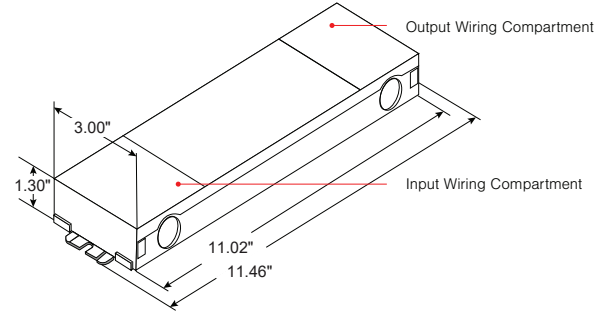
- : Rated for surface mount
- : Fully rated to operate low voltage load at listed wattage (No Derating Required)
- : Voltage regulation to 2% or less of rated output voltage
- : Universal input range of 120-277 Vrms
- : Short circuit protection (SCP)
- : Over voltage protection (OVP)
- : Over current protection (OCP)
- : Live tested by manufacture to ensure proper operation
- : Manufacturer offers minimum of 5 year warranty

## WIRE LENGTH TABLE

VOLTAGE DROP CHART										
VDC	Watts (W)	10 AWG (5.6mm <sup>2</sup> )	12 AWG (3.3mm <sup>2</sup> )	14 AWG (3.0mm <sup>2</sup> )	16 AWG (1.3mm <sup>2</sup> )	18 AWG (0.78mm <sup>2</sup> )	20 AWG (0.50mm <sup>2</sup> )	22 AWG (0.33mm <sup>2</sup> )	24 AWG (0.20mm <sup>2</sup> )	26 AWG (0.13mm <sup>2</sup> )
24	17	897'	564'	355'	223'	140'	88'	55'	35'	22'
	25	567'	356'	224'	141'	88'	56'	35'	22'	14'
	40	309'	194'	122'	77'	48'	30'	30'	12'	7'
	80	130'	82'	51'	32'	20'	13'	8'	5'	3'
	100	84'	53'	33'	21'	13'	8'	5'	3'	

\*Distances are based on a 5% Voltage drop max.

- This product must be installed in accordance with the applicable installation code by a person familiar with the construction and operation of the product and the hazards involved
- If dimming with optional 0-10V dimming module, use a dimmer rated for 0-10V operation



## SPECIFICATIONS

\*- 200us event

<b>Input</b>	• Input Voltage (Vrms)	120-277		
	• Input current, max (Arms)	0.94/0.41A		
<b>Output</b>	• Inrush Current, max* (Apk)	20A @230V		
	• Input Frequency (Hz)	50/60		
	• Input Power (W)	111		
	• Output Voltage, nom (V)	24		
<b>Environmental</b>	• Output Current (A)	4.0		
	• Output Power (Wmax)	96		
	• Dimming 0-10V, (Max)	2mA		
	• THD (%)	Min	Nom	Max
<b>Protections</b>	• PF (%)	----	----	2.0
	• Case Temp (°C)	----	----	70
	• Short Circuit Protection (SCP)	• EMI/RFI : FCC(47CFR, part15) Class B		
• Over Voltage Protection (OVP)	• EN 61000-3-2			
• Over Current Protection (OCP)	• Certified : UL/cUL 1316/1430/1585			
• Class II Output	: UL-879			
• IP20	: UL-8750			

ORDERING GUIDE			
1	2	3	4
Model	Max Output (W)	IP Rating	Finishes
<input type="text"/>	<input type="text" value="96"/>	<input type="text" value="20"/>	<input type="text"/>
1 Model			
iQ-ND: NonDim		iQ-D010: 0-10V Dimming	
2 Max Output			
96: 96W			
3 IP Rating			
20: IP20			
4 Finishes			
WH: White		BK: Black	
Ordering Example			
iQ-ND-96-20-WH		iQ-D010-96-20-BK	

2020-02-10-V1

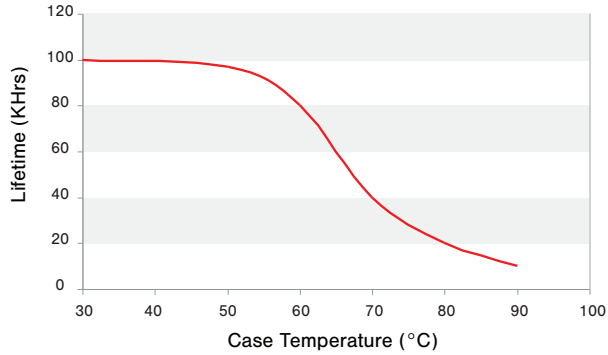
PROJECT NAME	DATE	COMPANY	TYPE	NOTE



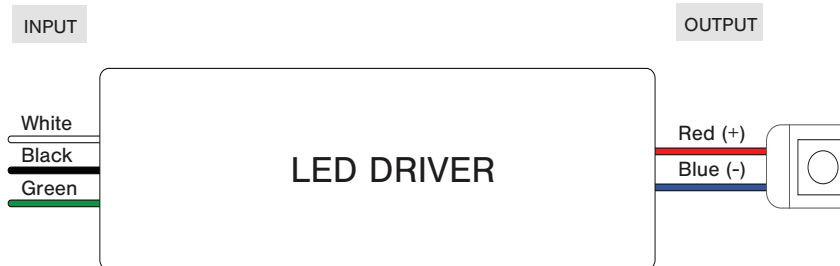
iQ-ND-96-20 & iQ-D010-96-20

# SPECIFICATIONS & WIRING DIAGRAM

### Lifetime vs Case Temperature



## NON DIMMING



## 0-10V DIMMING

