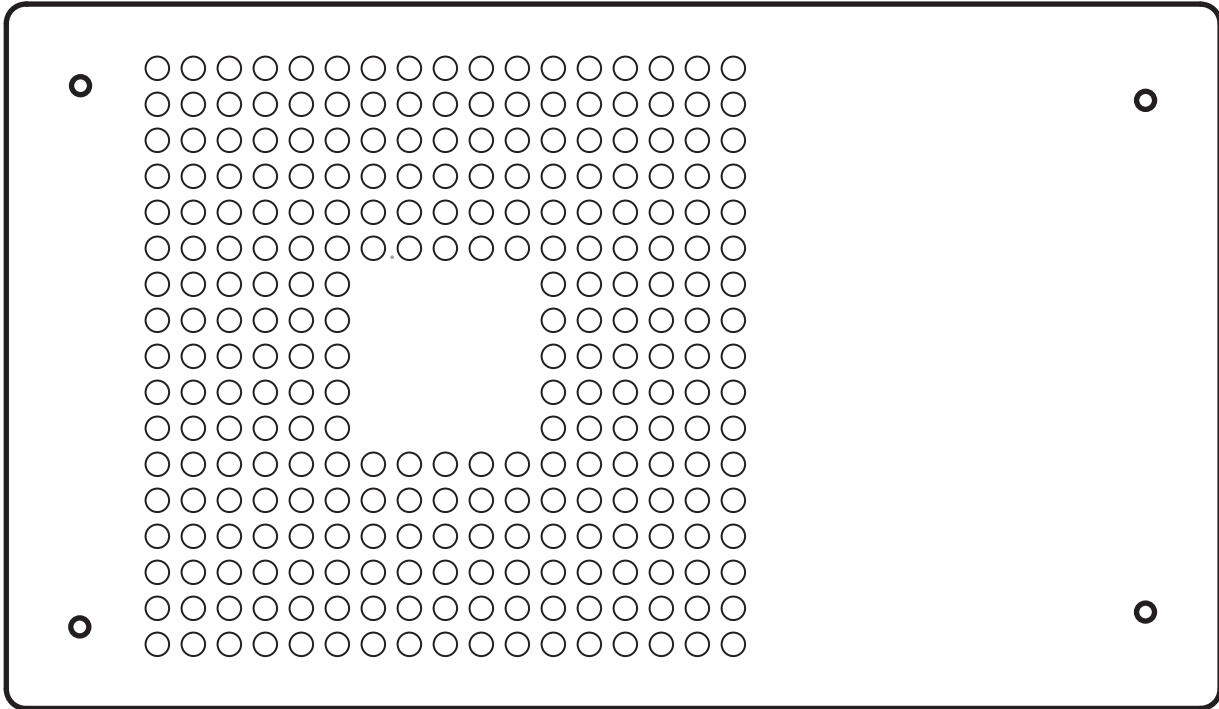


QTM-DC Power Supply (DC and DC+CAP) Installation Instructions

Must be installed by licensed electrician.



ENLIGHTENED THINKING®



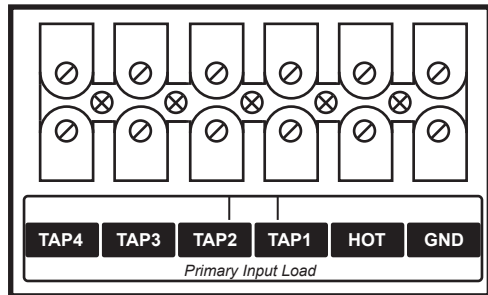
ENLIGHTENED THINKING®

Installation Instructions

QTM-DC Field Wiring Made Simple

PRIMARY

Line Voltage



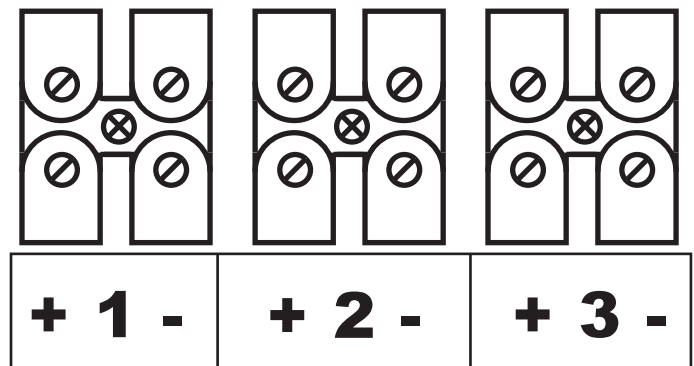
Land Neutral on one tap.
Chose either tap 1,2,3 or 4

Land Hot

Land Ground

SECONDARY

Low Voltage



RED = Positive
YELLOW = Negative

NOTE: Primary Input - connect the 120V hot into block labeled Hot. Connect the neutral wire into Tap 1 - Tap 5 depending on desired output Voltage.(Not to exceed 12V or 24V)

QTM-DC/DC+CAP 120VAC 230V/50Hz 277VAC 12V 24V

| Model | Input Voltage (V) | Input Current (A) | Frequency | Nominal Output Voltage (VDC) | Nominal Output Wattage (W) | SECONDARY WIRE CONNECTION |
|------------------------------------|-------------------|-------------------|-----------|------------------------------|----------------------------|---------------------------|
| <input type="radio"/> QTM60 DC | 120 / 277 | 0.67 / 0.29 | 50/60 | 12/24 | 60 | + Red = Yellow |
| <input type="radio"/> QTM100 DC | 120 / 277 | 1.1 / 0.49 | 50/60 | 12/24 | 100 | |
| <input type="radio"/> QTM120 DC | 120 / 277 | 1.3 / 0.58 | 50/60 | 12/24 | 120 | |
| <input type="radio"/> QTM150 DC | 120 / 277 | 1.7 / 0.7 | 50/60 | 12/24 | 150 | |
| <input type="radio"/> QTM180 DC | 120 / 277 | 2.0 / 0.87 | 50/60 | 12/24 | 180 | |
| <input type="radio"/> QTM200 DC | 120 / 277 | 2.3 / 0.98 | 50/60 | 12/24 | 200 | |
| <input type="radio"/> QTM240 DC | 120 / 277 | 2.7 / 1.2 | 50/60 | 12/24 | 240 | |
| <input type="radio"/> QTM300 DC | 120 / 277 | 3.4 / 1.5 | 50/60 | 12/24 | 300 | |
| <input type="radio"/> QTM360 DC | 120 / 277 | 4.1 / 1.8 | 50/60 | 12/24 | 360 | |
| <input type="radio"/> QTM400 DC | 120 / 277 | 4.5 / 2.0 | 50/60 | 12/24 | 400 | |
| <input type="radio"/> QTM500 DC | 120 / 277 | 5.6 / 2.4 | 50/60 | 24 | 500 | |
| <input type="radio"/> QTM600 DC | 120 / 277 | 6.7 / 2.9 | 50/60 | 24 | 600 | |
| <input type="radio"/> QTM60 DC+CAP | 120 / 277 | 0.9 / 0.4 | 50/60 | 12/24 | 60 | |
| <input type="radio"/> QTM100DC+CAP | 120 / 277 | 1.3 / 0.5 | 50/60 | 12/24 | 100 | |
| <input type="radio"/> QTM120DC+CAP | 120 / 277 | 1.4 / 0.6 | 50/60 | 12/24 | 120 | |
| <input type="radio"/> QTM200DC+CAP | 120 / 277 | 2.4 / 1.0 | 50/60 | 24 | 200 | |

Q-Tran, Inc.
239924
CLASS:
3425 - 15
3425 - 95
C US

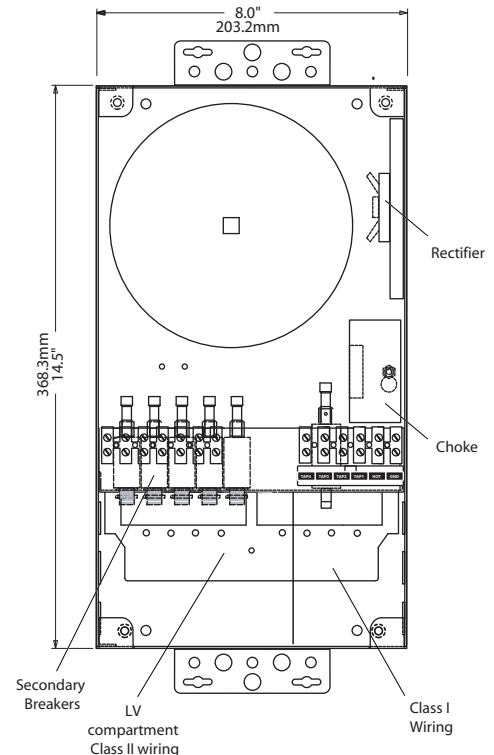


Q-TRAN, INC.
MILFORD, CT U.S.A.
(203) 367-8777
WWW.Q-TRAN.COM

This product must be installed in accordance with the applicable installation code by a person familiar with the construction and operation of the product and the hazards involved.

- WALL MOUNT ONLY
- SUITABLE FOR DAMP LOCATIONS
- 50/60 CYCLE A.C. ONLY
- FOR SUPPLY CONNECTIONS USE WIRE RATED FOR AT LEAST 75 C.
- USE DIMMERS RATED FOR MAGNETIC LOW VOLTAGE LOAD
- MADE IN THE U.S.A.
- ISOLATION TOROIDAL TRANSFORMER

LOW VOLTAGE LUMINAIRE POWER SUPPLY CENTER



Must test all voltage readings with a True RMS Voltage Meter.

Installation Instructions

QTM-DC+CAP Field Wiring Made Simple

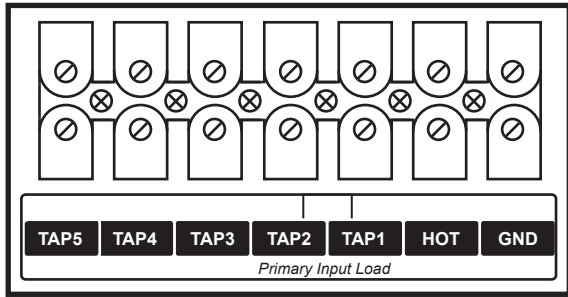


PRIMARY

Line Voltage

SECONDARY

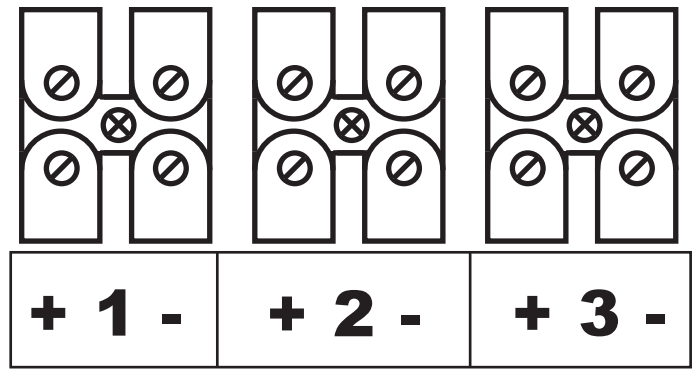
Low Voltage



Land Neutral on one tap.
Chose either tap 1,2,3,4 or 5

Land Hot

Land Ground



RED = Positive
YELLOW = Negative

NOTE: Primary Input - connect the 120V hot into block labeled Hot. Connect the neutral wire into Tap 1 - Tap 5 depending on desired output Voltage.(Not to exceed 12V or 24V)

| QTM-DC/DC+CAP | | <input type="radio"/> 120VAC | <input type="radio"/> 230V/50Hz | <input type="radio"/> 277VAC | <input type="radio"/> 12V | <input type="radio"/> 24V |
|------------------------------------|-------------------|------------------------------|---------------------------------|------------------------------|----------------------------|---------------------------|
| Model | Input Voltage (V) | Input Current (A) | Frequency | Nominal Output Voltage (VDC) | Nominal Output Wattage (W) | SECONDARY WIRE CONNECTION |
| <input type="radio"/> QTM60 DC | 120 / 277 | 0.67 / 0.29 | 50/60 | 12/24 | 60 | + Red - Yellow |
| <input type="radio"/> QTM100 DC | 120 / 277 | 1.1 / 0.49 | 50/60 | 12/24 | 100 | |
| <input type="radio"/> QTM120 DC | 120 / 277 | 1.3 / 0.58 | 50/60 | 12/24 | 120 | |
| <input type="radio"/> QTM150 DC | 120 / 277 | 1.7 / 0.7 | 50/60 | 12/24 | 150 | |
| <input type="radio"/> QTM180 DC | 120 / 277 | 2.0 / 0.87 | 50/60 | 12/24 | 180 | |
| <input type="radio"/> QTM200 DC | 120 / 277 | 2.3 / 0.98 | 50/60 | 12/24 | 200 | |
| <input type="radio"/> QTM240 DC | 120 / 277 | 2.7 / 1.2 | 50/60 | 12/24 | 240 | |
| <input type="radio"/> QTM300 DC | 120 / 277 | 3.4 / 1.5 | 50/60 | 12/24 | 300 | |
| <input type="radio"/> QTM360 DC | 120 / 277 | 4.1 / 1.8 | 50/60 | 12/24 | 360 | |
| <input type="radio"/> QTM400 DC | 120 / 277 | 4.5 / 2.0 | 50/60 | 12/24 | 400 | |
| <input type="radio"/> QTM500 DC | 120 / 277 | 5.6 / 2.4 | 50/60 | 24 | 500 | |
| <input type="radio"/> QTM600 DC | 120 / 277 | 6.7 / 2.9 | 50/60 | 24 | 600 | |
| <input type="radio"/> QTM60 DC+CAP | 120 / 277 | 0.9 / 0.4 | 50/60 | 12/24 | 60 | |
| <input type="radio"/> QTM100DC+CAP | 120 / 277 | 1.3 / 0.5 | 50/60 | 12/24 | 100 | |
| <input type="radio"/> QTM120DC+CAP | 120 / 277 | 1.4 / 0.6 | 50/60 | 12/24 | 120 | |
| <input type="radio"/> QTM200DC+CAP | 120 / 277 | 2.4 / 1.0 | 50/60 | 24 | 200 | |

This product must be installed in accordance with the applicable installation code by a person familiar with the construction and operation of the product and the hazards involved.

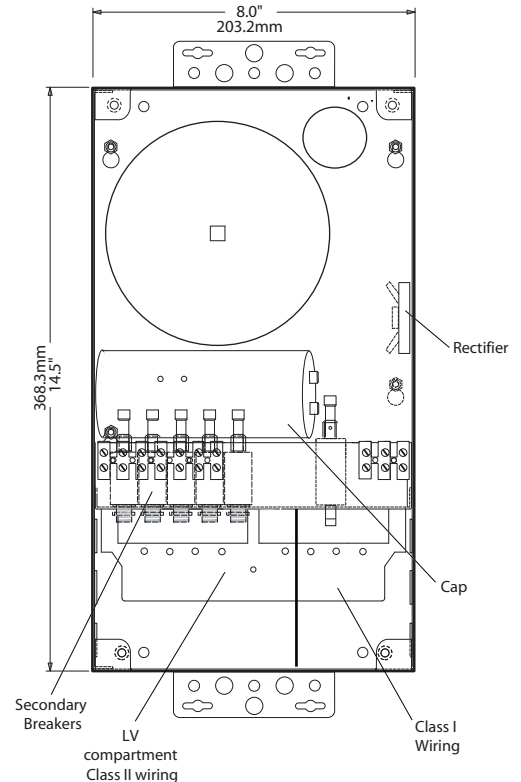
- WALL MOUNT ONLY
- SUITABLE FOR DAMP LOCATIONS
- 50/60 CYCLE A.C. ONLY
- FOR SUPPLY CONNECTIONS USE WIRE RATED FOR AT LEAST 75 C.
- USE DIMMERS RATED FOR MAGNETIC LOW VOLTAGE LOAD
- MADE IN THE U.S.A.

LOW VOLTAGE LUMINAIRE POWER SUPPLY CENTER

Q-Tran, Inc. 239924 CLASS: 3425 - 15 3425 - 95

CE

Q-TRAN, INC. MILFORD, CT U.S.A. (203) 367-8777 WWW.Q-TRAN.COM



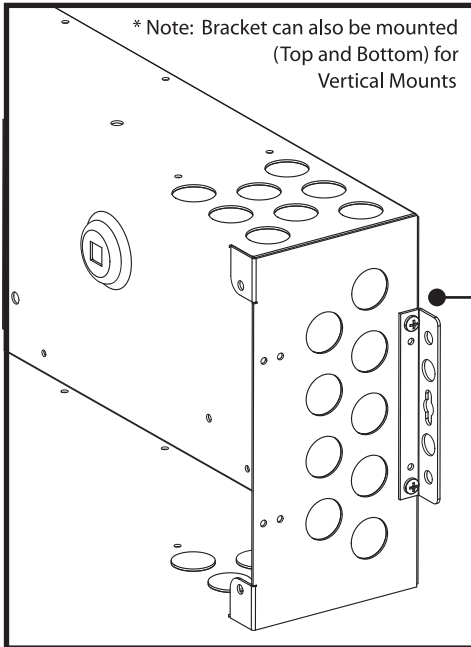
Must test all voltage readings with a True RMS Voltage Meter.



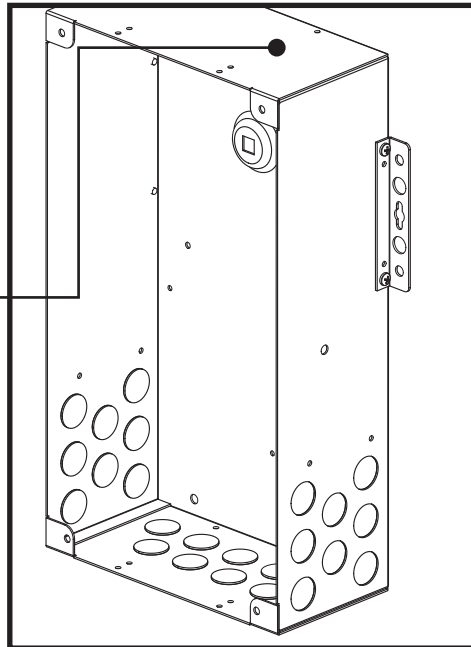
ENLIGHTENED THINKING[®]

Installation Instructions

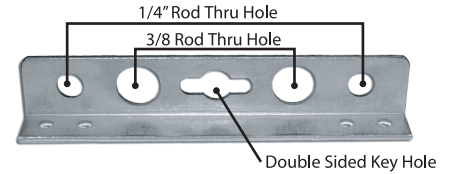
QTM-DC & DC+CAP Housing Mounting



Surface Mount (Horizontal)



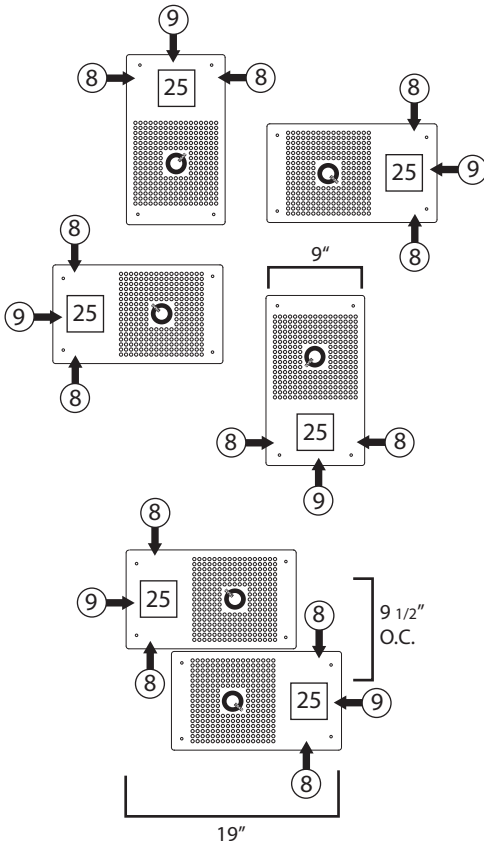
Surface Mount (Vertical)



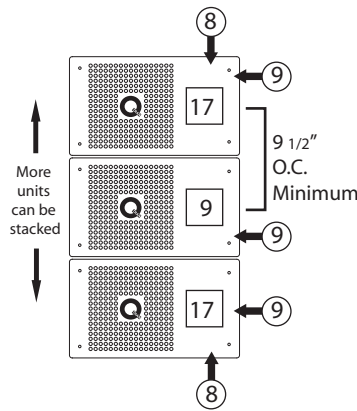
This face of bracket mounts to: Wall

Surface Wall

Note: Surface Mounting can be done on six different planes.



Surface Stacking



Note:
knockouts are located where **#** are shown.

← **#** = Number of available Knockouts per side

= Total number of available Knockouts per unit

Surface Spacing

